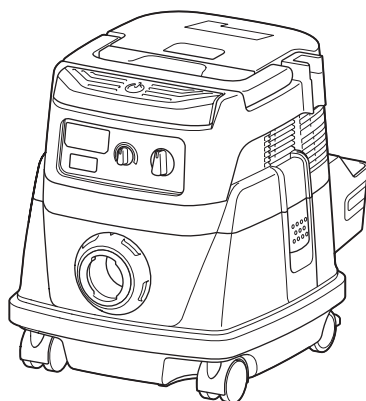


INSTRUCTION MANUAL
MANUEL D'INSTRUCTION
MANUAL DE INSTRUCCIONES



Cordless Vacuum Cleaner Aspirateur Sans Fil Aspiradora Inalámbrica

DVC864L



IMPORTANT: Read Before Using.

IMPORTANT : Lire avant usage.

IMPORTANTE: Lea antes de usar.

SPECIFICATIONS

Model:	DVC864L
Standard filter type	Powder filter (for dry dust)
Maximum air volume (with BL1850B, ø38 mm (1-1/2") x 2.5 m (98-1/2") hose)	2.1 m ³ /min (74 cu.ft/min)
Vacuum (with BL1850B, ø38 mm (1-1/2") x 2.5 m (98-1/2") hose)	98 hPa
Recoverable capacity	8 L (2.1 gal.)
Dimensions (L x W x H)	366 mm x 334 mm x 368 mm (14-3/8" x 13-1/8" x 14-1/2")
Rated voltage	D.C. 36 V
Standard battery cartridge	BL1815N, BL1820B, BL1830, BL1830B, BL1840B, BL1850B, BL1860B
Net weight	7.7 - 8.4 kg (17.1 - 18.4 lbs)
Bluetooth® version	4.1 (Bluetooth low energy)
Frequency band	2,402 - 2,480 MHz
Maximum radio-frequency power	1.0 dBm (EIRP)
Transmission range	Approximately 10 m

- Due to our continuing program of research and development, the specifications herein are subject to change without notice.
- Specifications and battery cartridge may differ from country to country.
- The weight does not include accessories but battery cartridge(s). The lightest and heaviest combination weight of the appliance and battery cartridge(s) are shown in the table.

Bluetooth®

The Bluetooth® word mark and logos are registered trademarks owned by the Bluetooth SIG, Inc. and any use of such marks by Makita is under license. Other trademarks and trade names are those of their respective owners.

SAFETY WARNINGS

For the U.S. and Canada only

This device complies with part 15 of FCC Rules and Industry Canada's licence-exempt RSSs. Operation is subject to the following two conditions: (1) this device may not cause harmful interference, and (2) this device must accept any interference received, including interference that may cause undesired operation.

This equipment complies with FCC/IC radiation exposure limits set forth for an uncontrolled environment and meets the FCC radio frequency (RF) Exposure Guidelines and RSS-102 of the IC radio frequency (RF) Exposure rules. This equipment has very low levels of RF energy that is deemed to comply without maximum permissive exposure evaluation (MPE).

IMPORTANT SAFETY INSTRUCTIONS

When using an electrical appliance, basic precautions should always be followed, including the following:

READ ALL INSTRUCTIONS BEFORE USING THIS APPLIANCE.

WARNING

To reduce the risk of fire, electric shock or injury:

1. Do not leave appliance when battery fitted. Remove battery from appliance when not in use and before servicing.
2. Do not use on wet surfaces. Do not expose to rain. Store indoors.
3. Do not allow to be used as a toy. Close attention is necessary when used by or near children.
4. Use only as described in this manual. Use only manufacturer's recommended attachments.
5. Do not use with damaged battery. If appliance is not working as it should, has been dropped, damaged, left outdoors, or dropped into water, return it to a service center.
6. Do not handle battery or appliance with wet hands.
7. Do not put any object into openings. Do not use with any opening blocked; keep free of dust, lint, hair, and anything that may reduce air flow.
8. Keep hair, loose clothing, fingers, and all parts of body away from openings and moving parts.
9. Turn off all controls before removing the battery cartridge.
10. Use extra care when cleaning on stairs.
11. Do not use to pick up flammable or combustible liquids, such as gasoline, or use in areas where they may be present.
12. Use only the charger supplied by the manufacturer to recharge.

13. Do not pick up anything that is burning or smoking, such as cigarettes, matches, or hot ashes.
14. Do not use without filters in place. Replace a damaged filter immediately.
15. Do not charge the battery outdoors.
16. Use power tools only with specifically designated battery packs. Use of any other battery packs may create a risk of injury and fire.
17. When battery pack is not in use, keep it away from other metal objects, like paper clips, coins, keys, nails, screws or other small metal objects, that can make a connection from one terminal to another. Shorting the battery terminals together may cause burns or a fire.
18. Do not use the cleaner as a stool or work bench. The machine may fall down and may result in personal injury.

Battery tool use and care

1. Recharge only with the charger specified by the manufacturer. A charger that is suitable for one type of battery pack may create a risk of fire when used with another battery pack.
2. Use power tools only with specifically designated battery packs. Use of any other battery packs may create a risk of injury and fire.
3. When battery pack is not in use, keep it away from other metal objects, like paper clips, coins, keys, nails, screws or other small metal objects, that can make a connection from one terminal to another. Shorting the battery terminals together may cause burns or a fire.
4. Under abusive conditions, liquid may be ejected from the battery; avoid contact. If contact accidentally occurs, flush with water. If liquid contacts eyes, additionally seek medical help. Liquid ejected from the battery may cause irritation or burns.


5. Do not use a battery pack or tool that is damaged or modified. Damaged or modified batteries may exhibit unpredictable behaviour resulting in fire, explosion or risk of injury.
6. Do not expose a battery pack or tool to fire or excessive temperature. Exposure to fire or temperature above 130 °C may cause explosion.
7. Follow all charging instructions and do not charge the battery pack or tool outside the temperature range specified in the instructions. Charging improperly or at temperatures outside the specified range may damage the battery and increase the risk of fire.
3. If operating time has become excessively shorter, stop operating immediately. It may result in a risk of overheating, possible burns and even an explosion.
4. If electrolyte gets into your eyes, rinse them out with clear water and seek medical attention right away. It may result in loss of your eyesight.
5. Do not short the battery cartridge:
 - (1) Do not touch the terminals with any conductive material.
 - (2) Avoid storing battery cartridge in a container with other metal objects such as nails, coins, etc.
 - (3) Do not expose battery cartridge to water or rain.

SAVE THESE INSTRUCTIONS.

This appliance is intended for commercial use.

Symbols

The followings show the symbols used for tool.

v	volts
≡	direct current
⚠	Take particular care and attention.
	Never stand on the cleaner.

Important safety instructions for battery cartridge

1. Before using battery cartridge, read all instructions and cautionary markings on (1) battery charger, (2) battery, and (3) product using battery.
2. Do not disassemble battery cartridge.
5. Do not store the tool and battery cartridge in locations where the temperature may reach or exceed 50 °C (122 °F).
7. Do not incinerate the battery cartridge even if it is severely damaged or is completely worn out. The battery cartridge can explode in a fire.
8. Be careful not to drop or strike battery.
9. Do not use a damaged battery.
10. The contained lithium-ion batteries are subject to the Dangerous Goods Legislation requirements. For commercial transports e.g. by third parties, forwarding agents, special requirement on packaging and labeling must be observed. For preparation of the item being shipped, consulting an expert for hazardous material is required. Please also observe possibly more detailed national regulations. Tape or mask off open contacts and pack up the battery in such a manner that it cannot move around in the packaging.
11. Follow your local regulations relating to disposal of battery.

12. **Use the batteries only with the products specified by Makita.** Installing the batteries to non-compliant products may result in a fire, excessive heat, explosion, or leak of electrolyte.

SAVE THESE INSTRUCTIONS.

⚠CAUTION: Only use genuine Makita batteries. Use of non-genuine Makita batteries, or batteries that have been altered, may result in the battery bursting causing fires, personal injury and damage. It will also void the Makita warranty for the Makita tool and charger.

Tips for maintaining maximum battery life

1. **Charge the battery cartridge before completely discharged.** Always stop tool operation and charge the battery cartridge when you notice less tool power.
2. **Never recharge a fully charged battery cartridge.** Overcharging shortens the battery service life.
3. **Charge the battery cartridge with room temperature at 10 °C - 40 °C (50 °F - 104 °F).** Let a hot battery cartridge cool down before charging it.
4. **Charge the battery cartridge if you do not use it for a long period (more than six months).**

Important safety instructions for wireless unit

1. **Do not disassemble or tamper with the cleaner.** The wireless unit in the cleaner cannot be removed.
2. **Do not operate the wireless activation function in places where medical instruments, heart pace makers, or automated devices, such as automatic doors and fire alarms, are nearby.**
3. **Do not use the cleaner in places where the temperature exceeds 50 °C (122 °F).**
4. **The wireless unit is an accurate instrument. Be careful not to drop or strike the cleaner.**
5. **Do not leave the cleaner in a place where static electricity or electrical noise could be generated.**

FUNCTIONAL DESCRIPTION

⚠CAUTION: Always be sure that the tool is switched off and the battery cartridge is removed before adjusting or checking function on the tool.

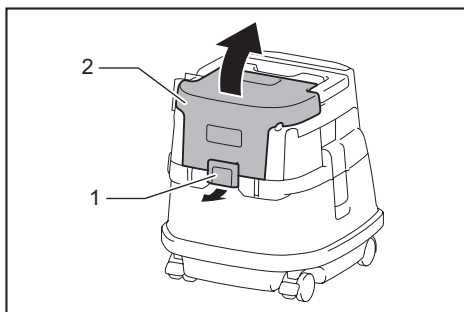
Installing or removing battery cartridge

⚠CAUTION: Always switch off the tool before installing or removing of the battery cartridge.

⚠CAUTION: Hold the tool and the battery cartridge firmly when installing or removing battery cartridge. Failure to hold the tool and the battery cartridge firmly may cause them to slip off your hands and result in damage to the tool and battery cartridge and a personal injury.

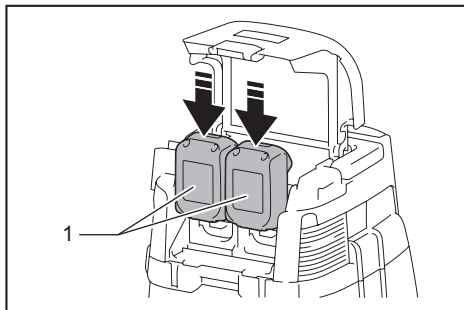
⚠CAUTION: Be careful not to pinch your fingers when opening or closing the battery cover. Failure to do so may cause personal injury.

To install the battery cartridge, release the lock first, and open the battery cover. And then, insert the battery cartridge.



► 1. Lock 2. Battery cover

Align the tongue on the battery cartridge with the groove in the housing and slip it into place. Insert it all the way until it locks in place with a little click. Then lock the battery cover.



► 1. Battery cartridge

To remove the battery cartridge, slide it from the tool while sliding the button on the front of the cartridge.

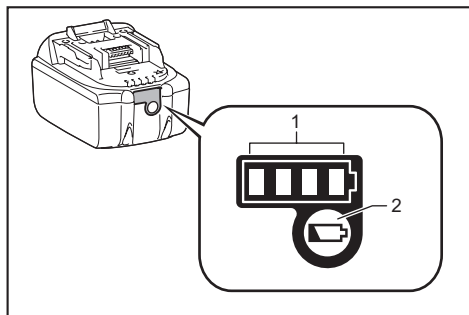
CAUTION: Always install the battery cartridge fully until the red indicator cannot be seen. If not, it may accidentally fall out of the tool, causing injury to you or someone around you.

CAUTION: Do not install the battery cartridge forcibly. If the cartridge does not slide in easily, it is not being inserted correctly.

NOTE: The cleaner does not work with only one battery cartridge.

Indicating the remaining battery capacity

Only for battery cartridges with the indicator



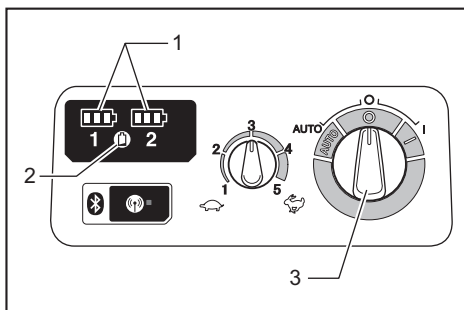
► 1. Indicator lamps 2. Check button

Press the check button on the battery cartridge to indicate the remaining battery capacity. The indicator lamps light up for a few seconds.

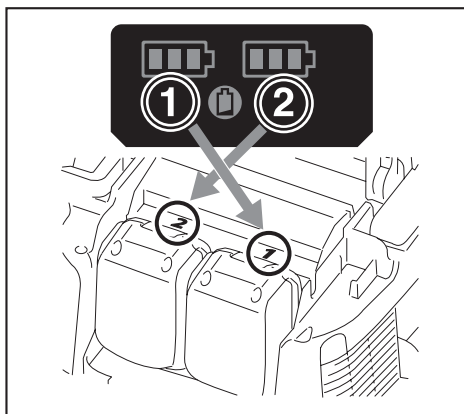
Indicator lamps			Remaining capacity
Lighted	Off	Blinking	
■ ■ ■ ■			75% to 100%
■ ■ ■ □			50% to 75%
■ ■ □ □			25% to 50%
■ □ □ □			0% to 25%
▣ □ □ □			Charge the battery.
■ ■ □ □			The battery may have malfunctioned.
□ □ ■ ■	↑ ↓		

NOTE: Depending on the conditions of use and the ambient temperature, the indication may differ slightly from the actual capacity.

Indicating the remaining battery capacity



► 1. Battery indicator 2. Check button 3. Stand-by switch



Press the check button to indicate the remaining battery capacities. The battery indicators correspond to each battery.

Battery indicator status			Remaining battery capacity
On	Off	Blinking	
■	□	▣	50% to 100%
	■ ■ ■ ■		20% to 50%
	■ □ □ □		0% to 20%
	■ ■ ■ ■		Charge the battery

NOTE: During the cleaner turned on with the stand-by switch set to "AUTO", the battery indicator does not work.

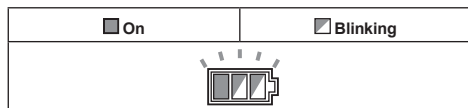
Tool / battery protection system

The tool is equipped with a tool/battery protection system. This system automatically cuts off power to the motor to extend tool and battery life. The tool will automatically stop during operation if the tool or battery is placed under one of the following conditions:

Overload protection

When the tool is operated in a manner that causes it to draw an abnormally high current, the tool automatically stops without any indication. In this situation, turn the tool off and stop the application that caused the tool to become overloaded. Then turn the tool on to restart.

Overheat protection

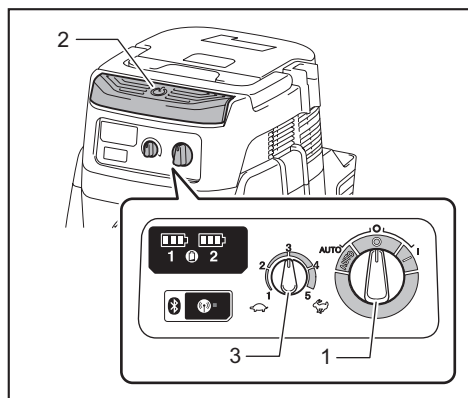


When the tool is overheated, the tool stops automatically, and the battery indicator blinks about 60 seconds. In this situation, let the tool cool down before turning the tool on again.

Overdischarge protection

When the battery capacity becomes low, the tool stops automatically. If the product does not operate even when the switches are operated, remove the batteries from the tool and charge the batteries.

Switch action



- 1. Stand-by switch 2. Power button 3. Suction force adjusting knob

To start the cleaner:

1. Set the stand-by switch to the "I" side. The cleaner gets into stand-by state.
2. Press the power button.

To make the cleaner get into stand-by mode, press the power button again.

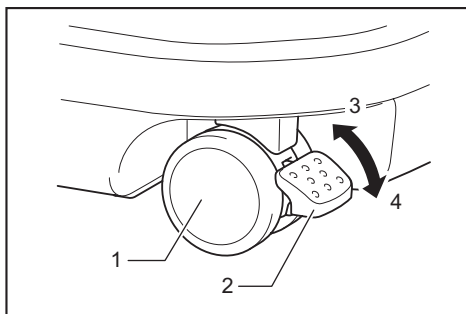
To turn off the cleaner, set the stand-by switch to the "O" side.

The suction power can be adjusted according to your work need.

Suction power can be increased by turning the suction force adjusting knob from the symbol to the symbol.

NOTICE: Always set the stand-by switch to the "O" side when not using the cleaner for long time. The cleaner consumes power during stand-by state.

Locking or unlocking the caster



- 1. Caster 2. Stopper lever 3. FREE position
4. LOCK position

Locking the caster is convenient when storing the cleaner, stopping the work on the way and keeping the cleaner still.

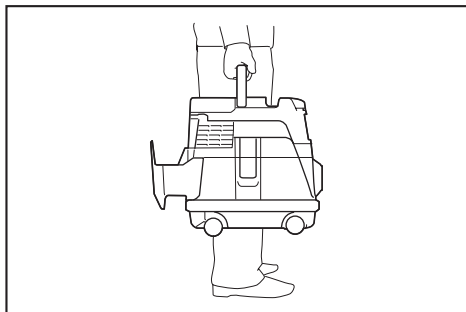
To operate the stopper, move it by hand.

To lock the caster with a stopper, lower the stopper lever and the caster no longer will rotate. To release the caster from the locked position, raise the stopper lever.

NOTE: When moving the cleaner, make sure that the caster is unlocked. Moving the cleaner with the caster in the locked position may cause damage to the caster.

Carriage handle

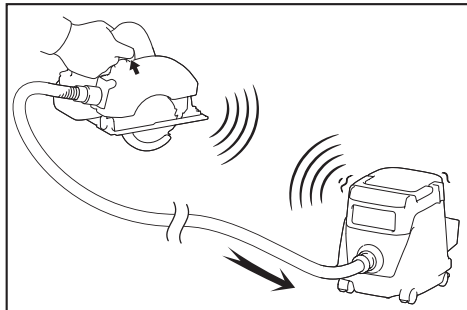
When carrying the cleaner, carry it by holding the handle on the head. The handle is retractable at the head when not in use.



WIRELESS ACTIVATION FUNCTION

What you can do with the wireless activation function

The wireless activation function enables clean and comfortable operation. By connecting a supported tool to the cleaner, you can run the cleaner automatically along with the switch operation of the tool.



NOTICE: Be sure to refer to the instruction manual of the tool when using the cleaner with wireless activation function.

NOTICE: Do not disassemble or tamper with the wireless unit.

NOTICE: Always close the lid of the wireless unit in the tool when operating or storage.

NOTICE: Do not remove the wireless unit from the tool while the power is being supplied to the tool. Doing so may cause a malfunction of the wireless unit.

NOTICE: Do not press the wireless activation button too hard and/or press the button with an object with a sharp edge.

NOTE: Wireless activation needs Makita tools equipped with the wireless unit.

NOTE: Prior to the initial use of the wireless activation function with each tool, the tool registration is required. Once the registration is finished with the tool, the re-registration is not required unless it is cancelled.

NOTE: Before registration, be sure to the wireless unit is properly inserted into the tool.

NOTE: One cleaner can register up to 10 tools. If more than 10 tools are registered to the cleaner, the tool registered earliest will be cancelled automatically.

NOTE: The position of the wireless activation button varies depending on the tool.

NOTE: The cleaner also starts by pressing the power button when the stand-by switch is set to "AUTO". However the power button will not actuate when the wireless activation function is used.

Tool registration for the cleaner

NOTE: A Makita tool supporting the wireless activation function is required for the tool registration.

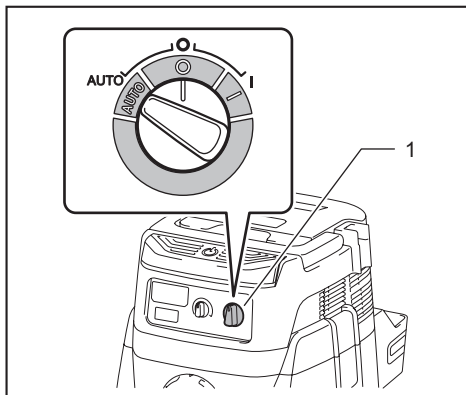
NOTE: Finish installing the wireless unit to the tool before starting the tool registration.

NOTE: During the tool registration, do not pull the switch trigger on the tool or turn on the power switch on the cleaner.

NOTE: Refer to the instruction manual of the tool, too.

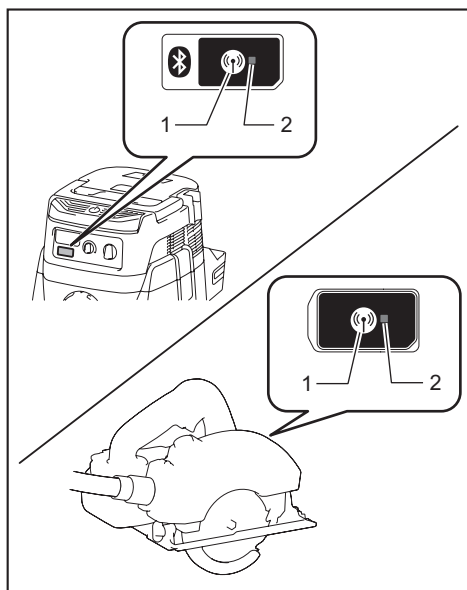
If you wish to activate the cleaner along with the switch operation of the tool, finish the tool registration beforehand.

1. Install the batteries to the cleaner and the tool.
2. Set the stand-by switch on the cleaner to "AUTO".



- 1. Stand-by switch

3. Press the wireless activation button on the cleaner for 3 seconds until the wireless activation lamp blinks in green. And then press the wireless activation button on the tool in the same way.



- 1. Wireless activation button 2. Wireless activation lamp

If the cleaner and the tool are linked successfully, the wireless activation lamps will light up in green for 2 seconds and start blinking in blue.

NOTE: The wireless activation lamps finish blinking in green after 20 seconds elapsed. Press the wireless activation button on the tool while the wireless activation lamp on the cleaner is blinking. If the wireless activation lamp does not blink in green, push the wireless activation button briefly and hold it down again.

NOTE: When performing two or more tool registration for the cleaner, finish the tool registration one by one.

Starting the wireless activation function

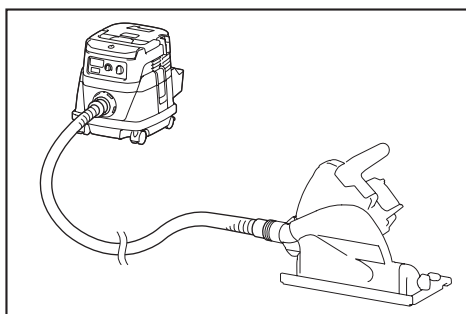
NOTE: Finish the tool registration for the cleaner for wireless activation.

NOTE: Always place the cleaner so that you can see the status of the wireless activation lamp.

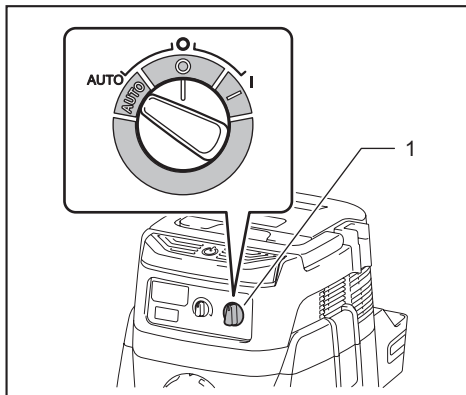
NOTE: Refer to the instruction manual of the tool, too.

After registering a tool to the cleaner, the cleaner will automatically runs along with the switch operation of the tool.

1. Install the wireless unit to the tool.
2. Connect the hose of the cleaner with the tool.

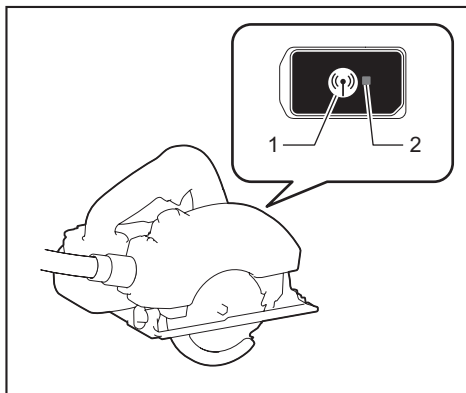


3. Set the stand-by switch on the cleaner to "AUTO".



- 1. Stand-by switch

4. Push the wireless activation button on the tool briefly. The wireless activation lamp will blink in blue.



- 1. Wireless activation button 2. Wireless activation lamp

5. Pull the switch trigger of the tool. Check if the cleaner runs while the switch trigger on the tool is being pulled.

To stop the wireless activation, push the wireless activation button on the tool, or set the stand-by switch on the cleaner to "I" or "O".

NOTE: The wireless activation lamp on the tool will stop blinking in blue when there is no operation for 2 hours. In this case, set the stand-by switch on the cleaner to "AUTO" and press the wireless activation button on the tool again.

NOTE: The cleaner starts/stops with a delay. There is a time lag when the cleaner detects a switch operation of the tool.

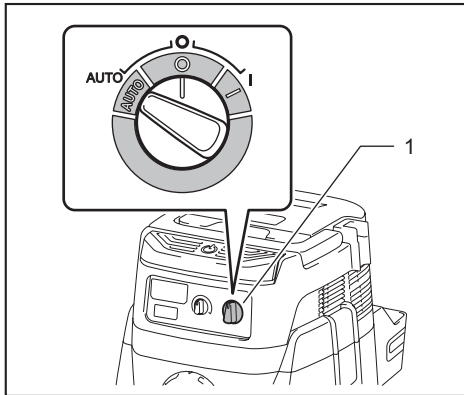
NOTE: The transmission distance of the wireless unit may vary depending on the location and surrounding circumstances.

NOTE: When two or more tools are registered to one cleaner, the cleaner may start running even if you don't pull the switch trigger because other user is using the wireless activation function.

Canceling tool registration for the cleaner

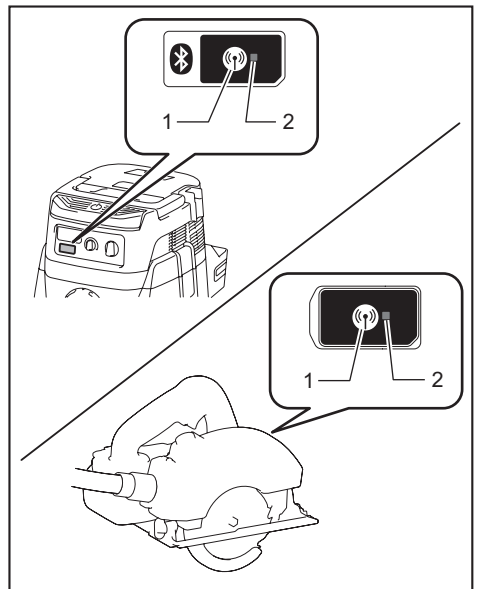
Perform the following procedure when cancelling the tool registration for the cleaner.

1. Install the batteries to the cleaner and the tool.
2. Set the stand-by switch on the cleaner to "AUTO".



- 1. Stand-by switch

3. Press the wireless activation button on the cleaner for 6 seconds. The wireless activation lamp blinks in green and then become red. After that, press the wireless activation button on the tool in the same way.



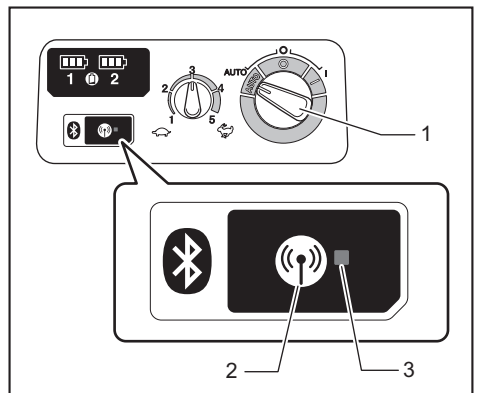
- 1. Wireless activation button 2. Wireless activation lamp

If the cancellation is performed successfully, the wireless activation lamps will light up in red for 2 seconds and start blinking in blue.

NOTE: The wireless activation lamps finish blinking in red after 20 seconds elapsed. Press the wireless activation button on the tool while the wireless activation lamp on the cleaner is blinking. If the wireless activation lamp does not blink in red, push the wireless activation button briefly and hold it down again.

Erasing all tool registrations

You can erase all tool registrations from the cleaner as follows.



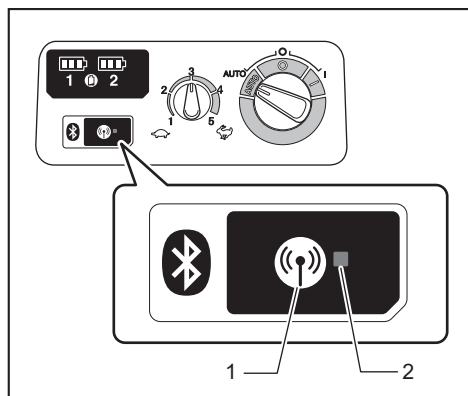
- 1. Stand-by switch 2. Wireless activation button 3. Wireless activation lamp

1. Install the batteries to the cleaner.
2. Set the stand-by switch to "AUTO".
3. Hold down the wireless activation button for about 6 seconds until the wireless activation lamp blinks in red (about twice per one second).
4. When the wireless activation lamp starts blinking in red, release your finger from the wireless activation button. Thereafter, hold down the wireless activation button again for about 6 seconds.

5. When the wireless activation lamp starts blinking fast (about 5 times per one second) in red, release your finger from the wireless activation button. When the wireless activation lamp lights up in red and later lights off, all tool registrations are erased.

NOTE: If the wireless activation lamp does not blink in red, press the wireless activation button briefly and try again.

Description of the wireless activation lamp status



- 1. Wireless activation button 2. Wireless activation lamp

The wireless activation lamp shows the status of the wireless activation function. Refer to the below table for the meaning of the lamp status.

Status	Wireless activation lamp			Duration	Description
	Color	<input type="checkbox"/> On	<input checked="" type="checkbox"/> Blinking		
Standby	Blue	<input checked="" type="checkbox"/>		Cleaner: continuing Tool: 2 hours	Waiting for the tool registration or the wireless activation function is available. The lamp on the cleaner blinks when the stand-by switch is set in AUTO. The lamp on the tool blinks when the wireless activation button is pushed. The lamp on the tool will automatically turn off when no operation is performed for 2 hours.
		<input type="checkbox"/>		When the tool is running.	The wireless activation of the cleaner is available and the tool is running.
Tool registration	Green	<input checked="" type="checkbox"/>		20 seconds	Ready for the tool registration. Searching the tool to be registered.
		<input type="checkbox"/>		2 seconds	The tool registration has been finished. The wireless activation lamp will start blinking in blue.
Cancelling/ erasing tool registration	Red	<input checked="" type="checkbox"/> (slow: 2 times/sec.)		20 seconds	Ready for the cancellation of the tool registration. Searching the tool to be cancelled.
		<input checked="" type="checkbox"/> (fast: 5 times/sec.)		When the wireless activation button is pressed down.	Ready to erase all tool registrations.
		<input type="checkbox"/>		2 seconds	The tool registration has been cancelled/erased. The wireless activation lamp will start blinking in blue.
Others	Red	<input type="checkbox"/>		3 seconds	The power is supplied to the wireless unit and the wireless activation function is starting up.
	Off	-		-	The stand-by switch is not set to "AUTO".

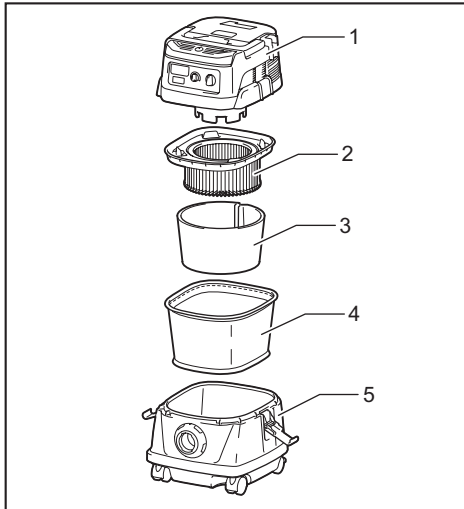
Troubleshooting for wireless activation function

Before asking for repairs, conduct your own inspection first. If you find a problem that is not explained in the manual, do not attempt to dismantle the tool. Instead, ask Makita Authorized Service Centers, always using Makita replacement parts for repairs.

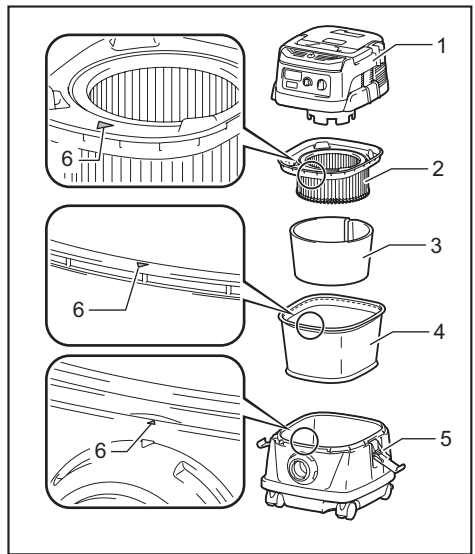
State of abnormality	Probable cause (malfunction)	Remedy
The wireless activation lamp does not light/blink.	The wireless unit is not installed into the tool. The wireless unit is improperly installed into the tool.	Install the wireless unit correctly in the tool.
	The terminal of the wireless unit and/or the slot is dirty.	Gently wipe off dust and dirt on the terminal of the wireless unit and clean the slot of the tool.
	The wireless activation button on the tool has not been pushed.	Push the wireless activation button on the tool briefly.
	The stand-by switch on the cleaner is not set to "AUTO".	Set the stand-by switch on the cleaner to "AUTO".
	No power supply	Supply the power to the tool and the cleaner.
Cannot finish tool registration / cancelling tool registration successfully.	The wireless unit is not installed into the tool. The wireless unit is improperly installed into the tool.	Install the wireless unit correctly in the tool.
	The terminal of the wireless unit and/or the slot is dirty.	Gently wipe off dust and dirt on the terminal of the wireless unit and clean the slot of the tool.
	The stand-by switch on the cleaner is not set to "AUTO".	Set the stand-by switch on the cleaner to "AUTO".
	No power supply	Supply the power to the tool and the cleaner.
	Incorrect operation	Push the wireless activation button briefly and perform the tool registration/cancellation procedures again.
	The tool and cleaner is away from each other (out of the transmission range).	Get the tool and the cleaner closer to each other. The maximum transmission distance is approximately 10 m however it may vary according to the circumstances.
	Before finishing the tool registration/cancellation; - the switch trigger on the tool is pulled or; - the power button on the cleaner is turned on.	Push the wireless activation button briefly and perform the tool registration/cancellation procedures again.
	The tool registration procedures for the tool or the cleaner has not finished.	Perform the tool registration procedures for the tool and the cleaner at the same timing.
Radio disturbance by other appliances which generate high-intensity radio waves.	Keep the tool and the cleaner away from the appliances such as Wi-Fi devices and microwave ovens.	

State of abnormality	Probable cause (malfunction)	Remedy
The cleaner does not run along with the switch operation of the tool.	The wireless unit is not installed into the tool. The wireless unit is improperly installed into the tool.	Install the wireless unit correctly in the tool.
	The terminal of the wireless unit and/or the slot is dirty.	Gently wipe off dust and dirt on the terminal of the wireless unit and clean the slot of the tool.
	The wireless activation button on the tool has not been pushed.	Push the wireless activation button briefly and make sure that the wireless activation lamp is blinking in blue.
	The stand-by switch on the cleaner is not set to "AUTO".	Set the stand-by switch on the cleaner to "AUTO".
	More than 10 tools are registered to the cleaner.	Perform the tool registration again. If more than 10 tools are registered to the cleaner, the tool registered earliest will be cancelled automatically.
	The cleaner erased all tool registrations.	Perform the tool registration again.
	No power supply	Supply the power to the tool and the cleaner.
	The tool and cleaner is away from each other (out of the transmission range).	Get the tool and the cleaner closer to each other. The maximum transmission distance is approximately 10 m however it may vary according to the circumstances.
	Radio disturbance by other appliances which generate high-intensity radio waves.	Keep the tool and the cleaner away from the appliances such as Wi-Fi devices and microwave ovens.
The cleaner runs while the tool's switch trigger is not pulled.	Other users are using the wireless activation of the cleaner with their tools.	Turn off the wireless activation button of the other tools or cancel the tool registration of the other tools.
Cannot erase all tool registrations in the cleaner.	Pressing the wireless button on the tool.	Press the wireless button on the cleaner for erasing all tool registrations.
	The stand-by switch on the cleaner is not set to "AUTO".	Set the stand-by switch on the cleaner to "AUTO".
	The wireless activation button is not hold down correctly.	Hold down the wireless activation button for more than 6 seconds and then release it when the wireless activation lamp blinks in red. Hold down the wireless activation button for more than 6 seconds again until the wireless activation button rapidly blinks in red and then release the button.

PARTS DESCRIPTION



- 1. Tank cover 2. Powder filter (HEPA) 3. Damper
4. Prefilter 5. Tank



- 1. Tank cover 2. Powder filter (HEPA) 3. Damper
4. Prefilter 5. Tank 6. Mounting position marking

NOTICE: Before using the powder filter, make sure that prefilter and damper are always used together. It is not allowed to install powder filter solely.

ASSEMBLY

CAUTION: Always be sure that the tool is switched off and the battery cartridge is removed before carrying out any work on the tool.

CAUTION: Always wear dust mask during assembly or maintenance.

Installing the powder filter (HEPA) and prefilter (for dry dust)

CAUTION: Never pick up water or other liquids or wet dusts when using the powder filter. Picking up such things may cause the powder filter breakage.

To use powder filter:

1. Place the prefilter in the tank with aligning the mounting position markings.
2. Mount the damper on the powder filter and then place them in the prefilter with aligning the mounting position markings.
3. Finally, mount the tank cover and lock it.

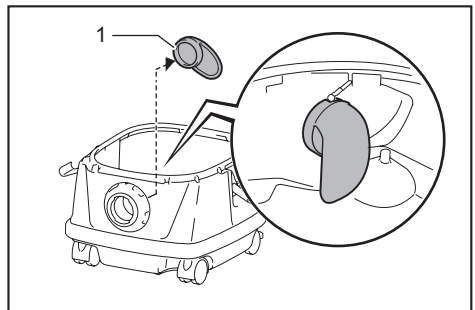
Installing the paper pack

Optional accessory

WARNING: When using the paper pack, also use the prefilter together that is preinstalled on the tool. Failure to use the prefilter together may cause unusual noise and heat, resulting in a fire.

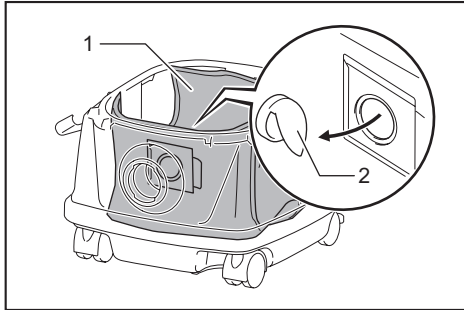
CAUTION: Before using the paper pack, make sure that powder filter, damper and prefilter are always used together.

1. Remove the rubber holder.



- 1. Rubber holder

2. Extend the paper pack.
3. Align the paper pack opening with the dust suction opening of the cleaner.
4. Insert the cardboard of the paper pack onto the holder so that it is positioned at the end beyond the detent protrusion.

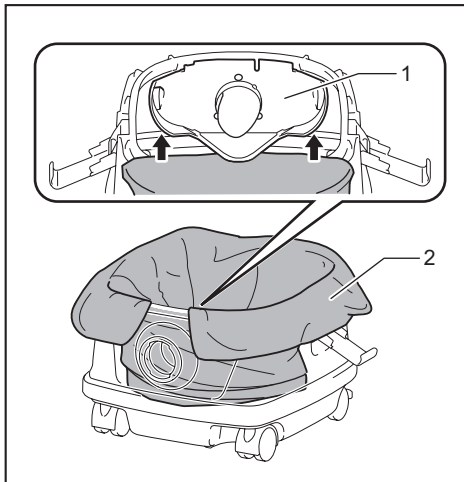


► 1. Paper pack 2. Holder

Installing the polyethylene bag

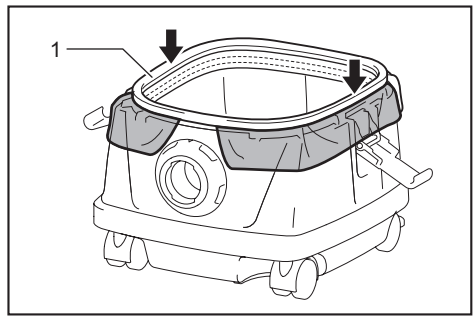
Cleaner can also be used without polyethylene bag. However, using polyethylene bag is easier to empty the tank without letting your hands dirty.

Spread the polyethylene bag in the tank. Insert it between the holder plate and the tank, and pull it to the hose inlet.



► 1. Holder plate 2. Polyethylene bag

Spread the bag around the top of the tank so that the prefilter edge can catch and hold the bag securely.



► 1. Prefilter

NOTE: A polyethylene bag available on the market can be used. 0.04 mm or thicker one is recommended.

NOTE: Too much dust will tear the bag easily, so do not collect the dust more than the half of the bag capacity.

Emptying the polyethylene bag

⚠WARNING: Always make sure that the cleaner is switched off and the battery cartridge is removed before emptying the polyethylene bag.

Failure to do so may cause an electric shock and serious personal injury.

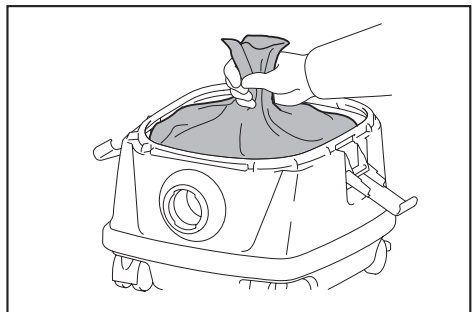
⚠CAUTION: Do not apply a great impact on the tank. Applying a great impact may cause deformation and damage to the parts.

⚠CAUTION: Empty the tank at least once a day although this depends on picked-up dust volume in the tank. Or, the suction force will weaken and the motor may be broken.

⚠CAUTION: Do not grab the hook when emptying the tank. Grabbing the hook may cause the hook to break.

Unhook and lift up the tank cover.

Shake off the dust from the prefilter and then take the polyethylene bag out of the tank.

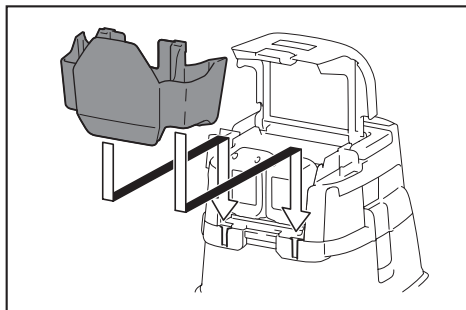


NOTE: Take the polyethylene bag carefully out of the tank so that the polyethylene bag cannot be caught and torn by the protrusion inside the tank when emptying it.

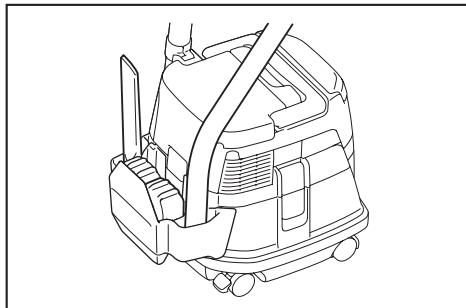
NOTE: Empty the polyethylene bag before it becomes full. Too much dust in the tank may cause the polyethylene bag to be torn.

Installing the tool box

1. Release the lock of the battery cover, and open the battery cover.
2. Set the rails on the tool box along the grooves on the housing.
3. Close the battery cover and apply the lock.



The tool box is convenient for carrying batteries, pipe, or cuffs.

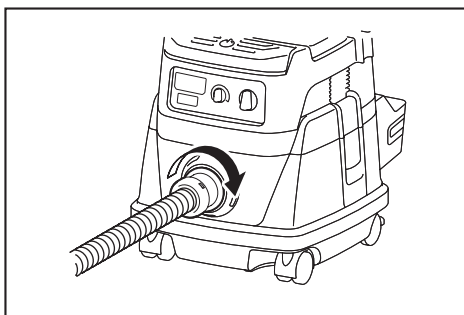


Connecting the hose

NOTICE: Never force the hose for bending or stamp it. Never move the cleaner by a hose. Forcing, stamping and pulling the hose may cause a breakage or deformation of the hose.

NOTICE: When picking up large wastes such as planer carvings, concrete dusts or similar other than small wastes, use the 38 mm inner diameter hose (optional accessory). Using the 28 mm inner diameter hose (optional accessory) may cause a hose stuffing and damage.

Insert the hose onto the mounting port of the tank and turn it clockwise until it locks.



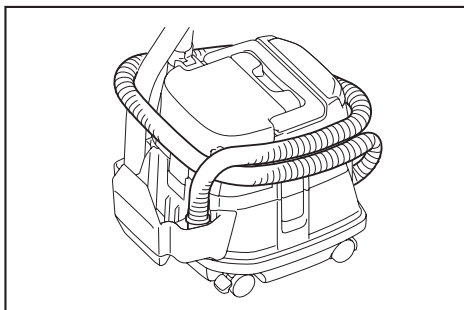
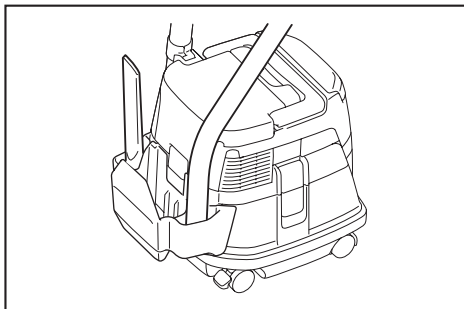
MAINTENANCE

CAUTION: Always be sure that the tool is switched off and the battery cartridge is removed before attempting to perform inspection or maintenance.

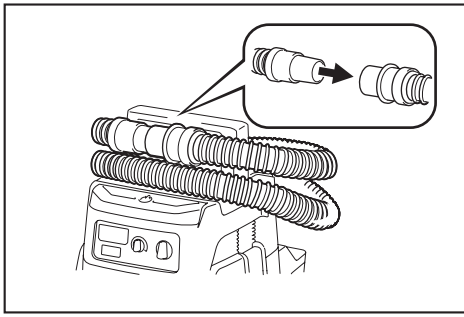
NOTICE: Never use gasoline, benzine, thinner, alcohol or the like. Discoloration, deformation or cracks may result.

Storage of accessories

The pipes can be placed into the pipe holder when not using the cleaner for a short time.



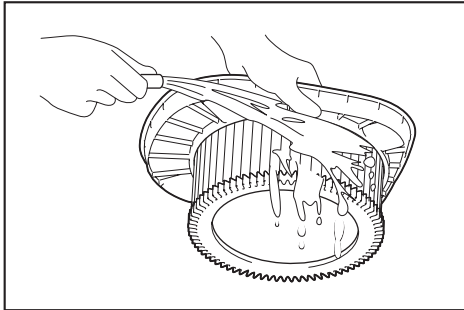
The hose can be stored around the tool by connecting each ends.



Cleaning of powder filter (HEPA) and prefilter

Clogged powder filter, prefilter and damper cause poor suction performance. Clean out the filters and dampers from time to time.

To remove dust or particles adhering to the filters, shake the frame bottom quickly several times.



Occasionally wash the powder filter in water, rinse and dry thoroughly in the shade before use. Never wash filters in a washing machine.

NOTE: Do not rub or scratch the powder filter, the prefilter or the damper with hard objects such as a brush and a paddle.

NOTE: The filters wear out in course of time. It is recommended to have some spares for them.

To maintain product SAFETY and RELIABILITY, repairs, any other maintenance or adjustment should be performed by Makita Authorized or Factory Service Centers, always using Makita replacement parts.

OPTIONAL ACCESSORIES

CAUTION: These accessories or attachments are recommended for use with your Makita tool specified in this manual. The use of any other accessories or attachments might present a risk of injury to persons. Only use accessory or attachment for its stated purpose.

If you need any assistance for more details regarding these accessories, ask your local Makita Service Center.

- Hose
- Front cuff (22, 24, 38)
- Straight pipe
- Corner nozzle
- Round brush
- Powder filter, HEPA (for dry dust)
- Damper
- Prefilter
- Nozzle assembly
- Bent pipe
- Polyethylene bag
- Paper pack
- Holder set
- Makita genuine battery and charger

NOTE: Some items in the list may be included in the tool package as standard accessories. They may differ from country to country.

MAKITA LIMITED ONE YEAR WARRANTY

Warranty Policy

Every Makita tool is thoroughly inspected and tested before leaving the factory. It is warranted to be free of defects from workmanship and materials for the period of ONE YEAR from the date of original purchase. Should any trouble develop during this one year period, return the COMPLETE tool, freight prepaid, to one of Makita's Factory or Authorized Service Centers. If inspection shows the trouble is caused by defective workmanship or material, Makita will repair (or at our option, replace) without charge.

This Warranty does not apply where:

- repairs have been made or attempted by others;
- repairs are required because of normal wear and tear;
- the tool has been abused, misused or improperly maintained;
- alterations have been made to the tool.

IN NO EVENT SHALL MAKITA BE LIABLE FOR ANY INDIRECT, INCIDENTAL OR CONSEQUENTIAL DAMAGES FROM THE SALE OR USE OF THE PRODUCT. THIS DISCLAIMER APPLIES BOTH DURING AND AFTER THE TERM OF THIS WARRANTY.

MAKITA DISCLAIMS LIABILITY FOR ANY IMPLIED WARRANTIES, INCLUDING IMPLIED WARRANTIES OF "MERCHANTABILITY" AND "FITNESS FOR A SPECIFIC PURPOSE," AFTER THE ONE YEAR TERM OF THIS WARRANTY.

This Warranty gives you specific legal rights, and you may also have other rights which vary from state to state. Some states do not allow the exclusion or limitation of incidental or consequential damages, so the above limitation or exclusion may not apply to you. Some states do not allow limitation on how long an implied warranty lasts, so the above limitation may not apply to you.

SPÉCIFICATIONS

Modèle :	DVC864L
À filtre standard	Filtre pour poudres (pour les poussières sèches)
Volume d'air maximum (avec BL1850B, tuyau de ø38 mm (1-1/2") x 2,5 m (98-1/2"))	2,1 m ³ /min (74 cu.ft/min)
Aspiration (avec BL1850B, tuyau de ø38 mm (1-1/2") x 2,5 m (98-1/2"))	98 hPa
Capacité de récupération	8 L (2,1 gal.)
Dimensions (L x P x H)	366 mm x 334 mm x 368 mm (14-3/8" x 13-1/8" x 14-1/2")
Tension nominale	C.C. 36 V
Batterie standard	BL1815N, BL1820B, BL1830, BL1830B, BL1840B, BL1850B, BL1860B
Poids net	7,7 - 8,4 kg (17,1 - 18,4 lbs)
Version Bluetooth®	4,1 (Bluetooth low energy)
Bande de fréquence	2 402 - 2 480 MHz
Puissance de radiofréquence maximale	1,0 dBm (PIRE)
Portée de transmission	Environ 10 m

- Étant donné l'évolution constante de notre programme de recherche et développement, les spécifications contenues dans ce manuel sont sujettes à modification sans préavis.
- Les spécifications et la batterie peuvent varier suivant les pays.
- Le poids ne comprend pas les accessoires autres que la/les batterie(s). Les combinaisons la plus légère et la plus lourde d'appareil et de batterie(s) sont indiquées dans le tableau.



Le mot de marque et les logos Bluetooth® sont les marques commerciales déposées de Bluetooth SIG, Inc., et toute utilisation de ces marques par Makita lui est accordée sous licence. Les autres marques commerciales et noms de marque appartiennent à leurs détenteurs respectifs.

CONSIGNES DE SÉCURITÉ

Pour les États-Unis et le Canada uniquement

Cet appareil est conforme à la partie 15 de la réglementation FCC et aux normes CNR d'exemption de licence d'Industrie Canada. L'utilisation est sujette aux deux conditions suivantes : (1) cet appareil ne peut pas causer de brouillage nuisible, et (2) cet appareil doit accepter tout brouillage subi, y compris le brouillage pouvant causer un fonctionnement indésirable.

Cet équipement respecte les limites d'exposition aux rayonnements de la FCC et d'IC pour un environnement non contrôlé, et il répond aux Directives d'exposition aux radiofréquences (RF) de la FCC et à la norme CNR-102 des règlements d'exposition aux radiofréquences (RF) d'IC. Cet équipement a de très bas niveaux d'énergie RF jugés conformes sans évaluation de l'exposition maximale admissible (EMA).

IMPORTANTES CONSIGNES DE SÉCURITÉ

Lors de l'utilisation d'un appareil électrique, vous devez toujours prendre des précautions de base, dont les suivantes :

CONSERVEZ CES INSTRUCTIONS.

MISE EN GARDE

Pour réduire les risques d'incendie, de décharge électrique et de blessure :

1. **Ne quittez pas l'appareil alors que la batterie y est insérée. Retirez la batterie de l'appareil lorsqu'il n'est pas utilisé et avant de le faire réparer.**
2. **Ne l'utilisez pas sur les surfaces mouillées. Ne l'exposez pas à la pluie. Rangez-le à l'intérieur.**
3. **Ne laissez pas les enfants l'utiliser comme jouet. Une attention particulière est nécessaire lors de l'utilisation par les enfants ou près d'eux.**
4. **Utilisez l'outil uniquement de la façon décrite dans ce manuel. Utilisez uniquement les accessoires recommandés par le fabricant.**
5. **Ne l'utilisez pas avec une batterie endommagée. Si l'appareil ne fonctionne pas bien, s'il a été échappé, endommagé, laissé à l'extérieur ou échappé dans l'eau, retournez-le à un centre de service après-vente.**
6. **Ne manipulez pas la batterie ou l'appareil avec les mains mouillées.**
7. **Ne mettez rien dans les ouvertures. N'utilisez jamais l'outil si une des ouvertures est bouchée ; gardez ces dernières exemptes de poussières, charpies, cheveux ou tout objet pouvant réduire la circulation de l'air.**
8. **Gardez les cheveux, les vêtements amples, les doigts et toute autre partie du corps à l'écart des ouvertures et des pièces en mouvement.**

9. **Mettez toutes les commandes hors tension avant de retirer la batterie.**
10. **Soyez tout particulièrement prudent lorsque vous nettoyez sur les marches d'un escalier.**
11. **Ne l'utilisez pas pour aspirer des liquides inflammables ou combustibles tels que l'essence, ou dans des zones où de tels liquides peuvent être présents.**
12. **Utilisez uniquement le chargeur fourni par le fabricant pour recharger la batterie.**
13. **N'aspirez pas d'objets qui brûlent ou dégagent de la fumée, tels que des cigarettes, des allumettes ou des cendres encore chaudes.**
14. **Ne l'utilisez pas sans avoir mis les filtres en place. Remplacez immédiatement tout filtre endommagé.**
15. **Ne chargez pas la batterie à l'extérieur.**
16. **N'utilisez les outils électriques qu'avec les blocs-piles spécifiquement conçus pour eux. L'utilisation de tout autre bloc-piles peut entraîner un risque de blessure et d'incendie.**
17. **Lorsque le bloc-piles n'est pas utilisé, gardez-le à l'écart des autres objets métalliques pouvant établir la connexion entre les bornes, tels que trombones, pièces de monnaie, clés, clous, vis et autres petits objets métalliques. Le court-circuitage des bornes de batterie peut causer des brûlures ou un incendie.**
18. **N'utilisez pas l'aspirateur en tant que tabouret ou établi. La machine risquerait de tomber et d'entraîner une blessure.**

Utilisation et entretien des outils alimentés par batterie

1. **Pour recharger, utilisez uniquement le chargeur spécifié par le fabricant.** L'utilisation d'un chargeur conçu pour un type donné de bloc-piles comporte un risque d'incendie lorsqu'il est utilisé avec un autre type de bloc-piles.



2. **N'utilisez un outil électrique qu'avec le bloc-piles conçu spécifiquement pour cet outil.** Il y a risque de blessure ou d'incendie si un autre bloc-piles est utilisé.
3. **Lorsque vous n'utilisez pas le bloc-piles, rangez-le à l'écart des objets métalliques tels que trombones, pièces de monnaie, clés, clous, vis ou autres petits objets métalliques qui risqueraient d'établir une connexion entre les bornes.** La mise en court-circuit des bornes de batterie peut causer des brûlures ou un incendie.
4. **Dans des conditions d'utilisation inadéquates de la batterie, il peut y avoir fuite d'électrolyte; évitez tout contact avec ce liquide.** En cas de contact accidentel, rincez avec beaucoup d'eau. Si le liquide pénètre dans vos yeux, il faut aussi consulter un médecin. L'électrolyte qui s'échappe de la batterie peut causer des irritations ou des brûlures.
5. **N'utilisez pas une batterie ou un outil s'il est endommagé ou modifié.** Les batteries endommagées ou modifiées peuvent avoir un comportement imprévisible dont peut résulter un incendie, une explosion ou un risque de blessure.
6. **N'exposez pas une batterie ou un outil au feu ou à une température excessive.** L'exposition au feu ou à une température supérieure à 130 °C peut entraîner une explosion.
7. **Suivez toutes les instructions de charge et ne chargez pas la batterie ou l'outil à l'extérieur de la plage de température spécifiée dans les instructions.** Charger de manière inadéquate ou à des températures hors de la plage spécifiée peut endommager la batterie et augmenter le risque d'incendie.

CONSERVEZ CES INSTRUCTIONS.

Cet appareil est conçu pour un usage commercial.

Symboles

Les symboles utilisés pour l'outil sont indiqués ci-dessous.

v	volts
— — —	courant continu
	Soyez tout particulièrement prudent et attentif.
	Ne montez jamais sur l'aspirateur.

Consignes de sécurité importantes pour la batterie

1. **Avant d'utiliser la batterie, lisez toutes les instructions et les mises en garde apposées sur (1) le chargeur de batterie, (2) la batterie et (3) le produit utilisant la batterie.**
2. **Ne démontez pas la batterie.**
3. **Cessez immédiatement l'utilisation si le temps de fonctionnement devient excessivement court.** Il y a risque de surchauffe, de brûlures, voire d'explosion.
4. **Si l'électrolyte pénètre dans vos yeux, rincez-les à l'eau claire et consultez immédiatement un médecin.** Il y a risque de perte de la vue.
5. **Ne court-circuitez pas la batterie :**
 - (1) **Ne touchez les bornes avec aucun matériau conducteur.**
 - (2) **Évitez de ranger la batterie dans un conteneur avec d'autres objets métalliques tels que clous, pièces de monnaie, etc.**
 - (3) **Évitez d'exposer la batterie à l'eau ou à la pluie.**

Un court-circuit de la batterie pourrait provoquer un fort courant, une surchauffe, parfois des brûlures et même une panne.

6. **Ne rangez pas l'outil ou la batterie dans des emplacements où la température peut atteindre ou dépasser 50 °C (122 °F).**
7. **Ne jetez pas la batterie au feu même si elle est sérieusement endommagée ou complètement épuisée. La batterie peut exploser au contact du feu.**
8. **Prenez garde d'échapper ou de heurter la batterie.**
9. **N'utilisez pas une batterie si elle est endommagée.**
10. **Les batteries lithium-ion fournies sont soumises aux exigences de la législation sur les marchandises dangereuses.**

Des exigences particulières sur l'emballage et l'étiquetage doivent être respectées lors du transport commercial par des tiers, des transitaires, etc.

Pour préparer la marchandise à expédier, consultez un expert en matériaux dangereux si nécessaire.

Respectez aussi les éventuelles réglementations nationales plus détaillées.

Recouvrez de ruban isolant les contacts exposés, et emballez la batterie de sorte qu'elle ne puisse pas se déplacer à l'intérieur de l'emballage.

11. **Suivez la réglementation locale concernant l'élimination de la batterie.**
12. **N'utilisez les batteries qu'avec les produits spécifiés par Makita.** Installer les batteries sur des produits non conformes peut entraîner un incendie, une chaleur excessive, une explosion ou une fuite d'électrolyte.

CONSERVEZ CE MODE D'EMPLOI.

⚠ ATTENTION : Utilisez exclusivement les batteries fabriquées par Makita. Les batteries autres que celles fabriquées par Makita ou les batteries modifiées peuvent exploser et causer un incendie, une blessure ou des dommages. Cela annule aussi la garantie Makita de l'outil et du chargeur Makita.

Conseils pour maintenir la durée de service maximale de la batterie

1. **Rechargez la batterie avant qu'elle ne soit complètement déchargée. Arrêtez toujours l'outil et rechargez la batterie quand vous remarquez que la puissance de l'outil diminue.**
2. **Ne rechargez jamais une batterie complètement chargée. La surcharge réduit la durée de service de la batterie.**
3. **Chargez la batterie à une température ambiante comprise entre 10 °C et 40 °C (50 °F et 104 °F). Si la batterie est chaude, laissez-la refroidir avant de la charger.**
4. **Chargez la batterie si elle est restée inutilisée pendant une période prolongée (plus de six mois).**

Importantes consignes de sécurité pour l'unité sans fil

1. **Évitez de démonter ou de modifier l'aspirateur. L'unité sans fil de l'aspirateur n'est pas amovible.**
2. **N'utilisez pas la fonction d'activation sans fil dans les emplacements où des instruments médicaux, des stimulateurs cardiaques ou des dispositifs automatiques tels que portes automatiques et alarmes d'incendie se trouvent à proximité.**
3. **N'utilisez pas l'aspirateur dans les emplacements où la température dépasse 50 °C (122 °F).**
4. **L'unité sans fil est un instrument de précision. Prenez garde d'échapper ou de heurter l'aspirateur.**
5. **Ne laissez pas l'aspirateur dans un emplacement où de l'électricité statique ou du bruit électrique peuvent être générés.**

DESCRIPTION DU FONCTIONNEMENT

ATTENTION : Assurez-vous toujours que l'outil est éteint et que sa batterie est retirée avant de l'ajuster ou de vérifier son fonctionnement.

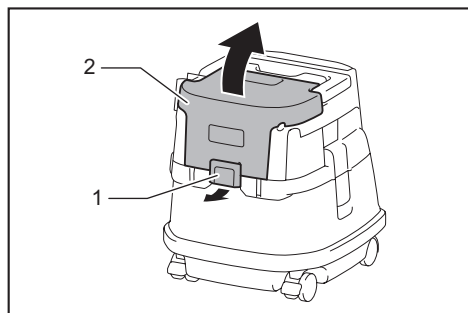
Installation ou retrait de la batterie

ATTENTION : Éteignez toujours l'outil avant d'installer ou de retirer la batterie.

ATTENTION : Tenez fermement l'outil et la batterie lors de l'installation ou du retrait de cette dernière. Si l'outil et la batterie ne sont pas tenus fermement, ils risquent de vous glisser des mains et de subir des dommages, ou encore de vous blesser.

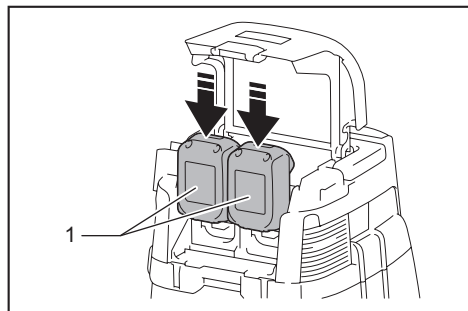
ATTENTION : Prenez garde de vous pincer les doigts en ouvrant ou fermant le couvercle de batterie. Autrement, il y a risque de blessure.

Pour installer la batterie, libérez d'abord le verrou, puis ouvrez le couvercle de batterie. Insérez ensuite la batterie.



► 1. Verrou 2. Couvercle de batterie

Alignez la languette de la batterie sur la rainure du boîtier et glissez la batterie en place. Insérez-la à fond, jusqu'à ce qu'elle se verrouille en place avec un léger bruit sec. Verrouillez ensuite le couvercle de batterie.



► 1. Batterie

Pour retirer la batterie, faites-la glisser hors de l'outil tout en glissant le bouton qui se trouve à l'avant.

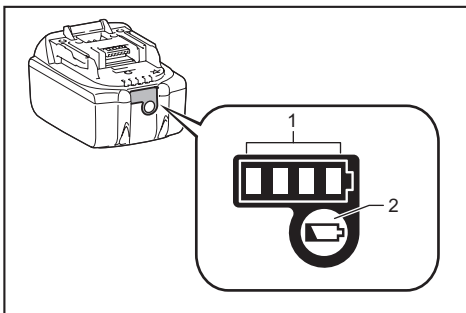
ATTENTION : Installez toujours la batterie à fond jusqu'à ce que vous ne puissiez plus voir le voyant rouge. Autrement elle risque de tomber accidentellement de l'outil et d'entraîner des blessures.

ATTENTION : Ne forcez pas sur la batterie pour l'installer. Si la batterie ne glisse pas facilement, c'est qu'elle n'est pas insérée correctement.

NOTE : L'aspirateur ne fonctionne pas lorsqu'il n'y a qu'une seule batterie.

Affichage de la charge restante de la batterie

Uniquement pour les batteries avec voyant



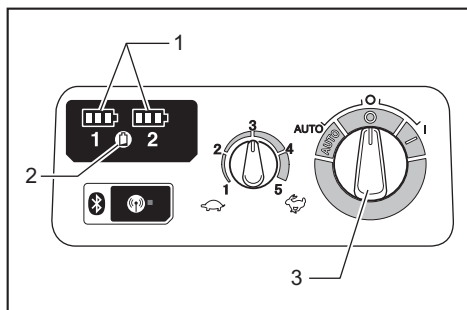
► 1. Témoins indicateurs 2. Bouton de vérification

Appuyez sur le bouton de vérification de la batterie pour afficher la charge restante de la batterie. Les témoins indicateurs s'allument pendant quelques secondes.

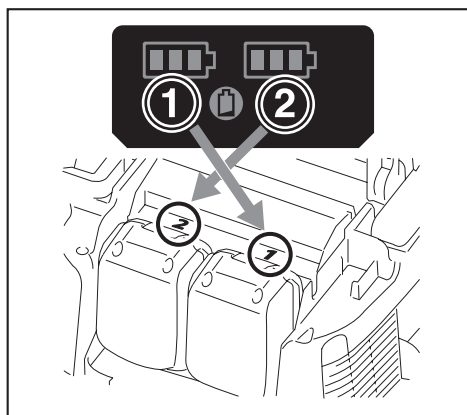
Témoins indicateurs			Charge restante
Allumé	Éteint	Clignotant	
■ ■ ■ ■			75 % à 100 %
■ ■ ■ □			50 % à 75 %
■ ■ □ □			25 % à 50 %
■ □ □ □			0 % à 25 %
▬ □ □ □			Chargez la batterie.
■ ■ □ □			La batterie a peut-être mal fonctionné.
□ □ ■ ■			

NOTE : Suivant les conditions d'utilisation et la température ambiante, il se peut que l'indication soit légèrement différente de la charge réelle.

Indication de la charge restante de la batterie



- 1. Voyant de batterie 2. Bouton de vérification
3. Interrupteur de mise sous tension



Appuyez sur le bouton de vérification pour afficher la charge restante des batteries. Les voyants de batterie correspondent à chacune des batteries.

État du voyant de batterie			Capacité restante de la batterie
Allumé	Éteint	Clignotant	
			50 % à 100 %
			20 % à 50 %
			0 % à 20 %
			Charger la batterie

NOTE : Le voyant de batterie ne fonctionne pas lorsque l'aspirateur est mis en marche avec l'interrupteur de mise sous tension sur « AUTO ».

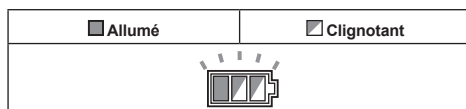
Dispositif de protection de l'outil et de la batterie

L'outil est équipé d'un système de protection d'outil/batterie. Ce système coupe automatiquement l'alimentation du moteur pour augmenter la durée de vie de l'outil et de la batterie. L'outil s'arrête automatiquement pendant l'utilisation lorsque l'outil ou la batterie est dans l'une des situations suivantes :

Protection contre la surcharge

Lorsque l'outil est utilisé d'une manière entraînant une consommation anormale de courant, il s'arrête automatiquement sans aucune indication. Dans ce cas, éteignez l'outil et arrêtez l'activité qui entraîne une surcharge de l'outil. Remettez ensuite le contact pour redémarrer.

Protection contre la surchauffe

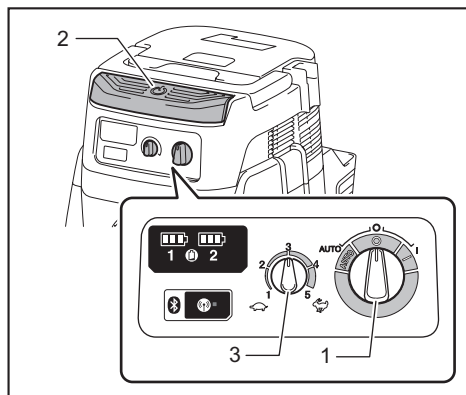


Lorsque l'outil surchauffe, il s'arrête automatiquement et le voyant de batterie clignote pendant environ 60 secondes. Dans ce cas, laissez refroidir l'outil avant de remettre le contact.

Protection contre la décharge excessive

Lorsque la charge de la batterie est basse, l'outil s'arrête automatiquement. Si l'appareil ne fonctionne pas même lorsque vous activez les interrupteurs, retirez les batteries de l'outil et rechargez-les.

Interrupteur

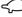



- 1. Interrupteur de mise sous tension 2. Bouton d'alimentation 3. Bouton de réglage de la force de succion

Pour démarrer l'aspirateur :

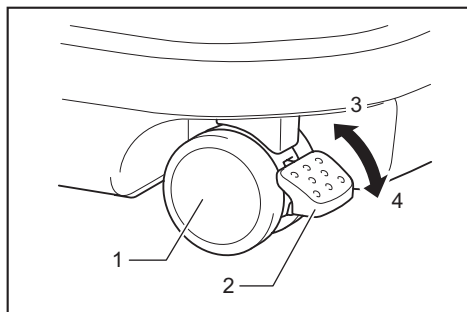
1. Mettez l'interrupteur de mise sous tension du côté « I ». L'aspirateur se met sous tension.
2. Appuyez sur le bouton d'alimentation. Pour mettre l'aspirateur en mode sous tension, appuyez de nouveau sur le bouton d'alimentation. Pour éteindre l'aspirateur, mettez l'interrupteur de mise sous tension du côté « O ».

La puissance de succion peut être ajustée selon les exigences du travail à effectuer.

La puissance de succion peut être augmentée en tournant le bouton de réglage de la force de succion du symbole  au symbole .

AVIS : Lorsque vous prévoyez une longue période de non-utilisation de l'aspirateur, mettez toujours l'interrupteur de mise sous tension du côté « O ». L'aspirateur consomme de l'électricité lorsqu'il est sous tension.

Verrouillage ou déverrouillage de la roulette



- 1. Roulette 2. Levier de frein 3. Position LIBRE
4. Position VERROUILLÉE

Le verrouillage de la roulette est pratique lors du rangement de l'aspirateur, de l'interruption du travail en cours et de l'immobilisation de l'aspirateur.

Pour utiliser le frein, déplacez-le manuellement.

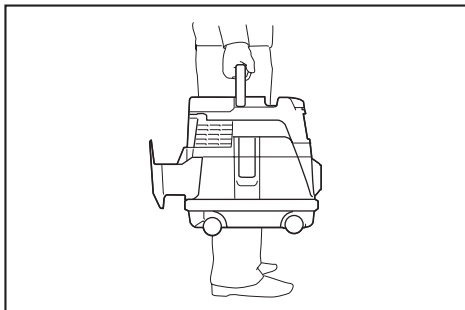
Pour verrouiller la roulette à l'aide du frein, abaissez le levier de frein de sorte que la roulette ne tourne plus.

Pour libérer la roulette de la position verrouillée, relevez le levier de frein.

NOTE : Lorsque vous déplacez l'aspirateur, assurez-vous que la roulette est déverrouillée. Déplacer l'aspirateur avec la roulette en position verrouillée peut endommager la roulette.

Poignée de transport

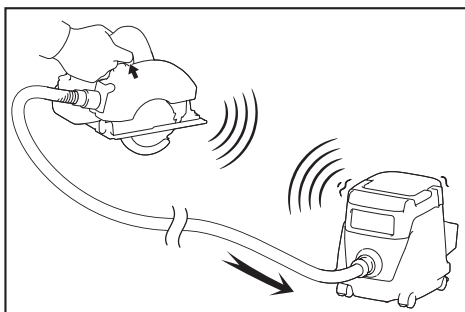
Lorsque vous transportez l'aspirateur, saisissez-le par la poignée du dessus. La poignée peut être escamotée sur le dessus lorsqu'elle n'est pas utilisée.



FONCTION D'ACTIVATION SANS FIL

Ce que vous pouvez faire avec la fonction d'activation sans fil

La fonction d'activation sans fil permet une utilisation propre et confortable. En raccordant un outil compatible à l'aspirateur, vous pouvez activer l'aspirateur automatiquement lorsque vous utilisez l'interrupteur de l'outil.



AVIS : Veillez à vous reporter au manuel d'instructions de l'outil lorsque vous utilisez l'aspirateur avec la fonction d'activation sans fil.

AVIS : Évitez de démonter ou de modifier l'unité sans fil.

AVIS : Fermez toujours le couvercle de l'unité sans fil de l'outil lorsque vous utilisez ou rangez l'outil.

AVIS : Ne retirez pas l'unité sans fil de l'outil pendant que l'outil est alimenté en courant. Cela peut causer un dysfonctionnement de l'unité sans fil.

AVIS : N'appuyez pas trop fort sur le bouton d'activation sans fil, et/ou n'appuyez pas sur le bouton avec un objet tranchant.

NOTE : L'activation sans fil n'est possible qu'avec les outils Makita dotés d'une unité sans fil.

NOTE : L'enregistrement d'outil est nécessaire avant la première utilisation de la fonction d'activation sans fil avec chaque outil. Une fois l'enregistrement d'un outil terminé, son réenregistrement n'est nécessaire que s'il a été annulé.

NOTE : Avant l'enregistrement, assurez-vous que l'unité sans fil est bien insérée dans l'outil.

NOTE : Jusqu'à 10 outils peuvent être enregistrés sur un aspirateur. Si plus de 10 outils sont enregistrés sur l'aspirateur, l'outil enregistré le plus tôt sera automatiquement annulé.

NOTE : La position du bouton d'activation sans fil varie suivant l'outil.

NOTE : L'aspirateur démarre également lors de la pression sur le bouton d'alimentation lorsque l'interrupteur de mise sous tension est sur « AUTO ». Le bouton d'alimentation sera toutefois inopérant si la fonction d'activation sans fil est utilisée.

Enregistrement d'outil pour l'aspirateur

NOTE : Un outil Makita compatible avec la fonction d'activation sans fil est nécessaire pour l'enregistrement d'outil.

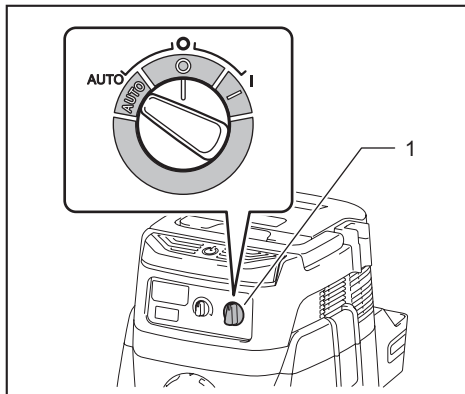
NOTE : Terminez l'installation de l'unité sans fil sur l'outil avant de commencer l'enregistrement d'outil.

NOTE : Pendant l'enregistrement d'outil, n'appuyez pas sur la gâchette de l'outil et n'activez pas l'interrupteur d'alimentation sur l'aspirateur.

NOTE : Reportez-vous également au manuel d'instructions de l'outil.

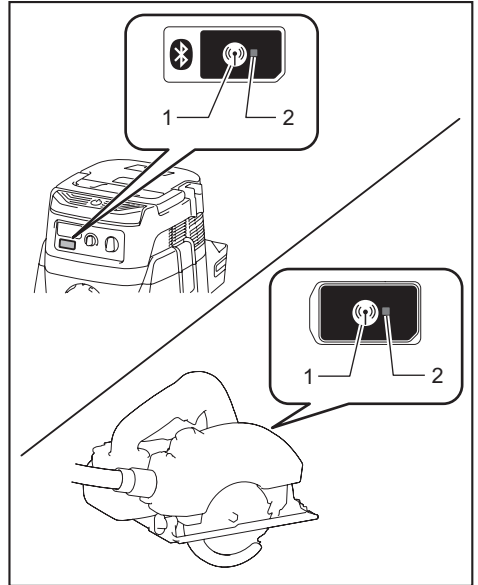
Terminez l'enregistrement d'outil à l'avance, si vous souhaitez que l'aspirateur soit activé lors de l'utilisation de l'interrupteur de l'outil.

1. Installez les batteries dans l'aspirateur et l'outil.
2. Mettez l'interrupteur de mise sous tension de l'aspirateur sur « AUTO ».



► 1. Interrupteur de mise sous tension

3. Appuyez pendant 3 secondes sur le bouton d'activation sans fil sur l'aspirateur, jusqu'à ce que le témoin d'activation sans fil clignote en vert. Appuyez ensuite de la même manière sur le bouton d'activation sans fil sur l'outil.



► 1. Bouton d'activation sans fil 2. Témoin d'activation sans fil

Si la liaison s'établit entre l'aspirateur et l'outil, les témoins d'activation sans fil s'allumeront en vert pendant 2 secondes puis se mettront à clignoter en bleu.

NOTE : Les témoins d'activation sans fil cessent de clignoter en vert au bout de 20 secondes. Appuyez sur le bouton d'activation sans fil sur l'outil pendant que le témoin d'activation sans fil clignote sur l'aspirateur. Si le témoin d'activation sans fil ne clignote pas en vert, appuyez un court instant sur le bouton d'activation sans fil et maintenez-le enfoncé encore une fois.

NOTE : Lorsque vous effectuez deux enregistrements d'outil ou plus pour l'aspirateur, achevez les enregistrements d'outil un à la fois.

Démarrer la fonction d'activation sans fil

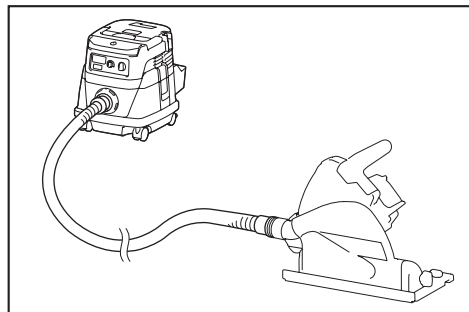
NOTE : Terminez l'enregistrement d'outil pour l'aspirateur pour l'activation sans fil.

NOTE : Placez toujours l'aspirateur de manière à pouvoir voir l'état du témoin d'activation sans fil.

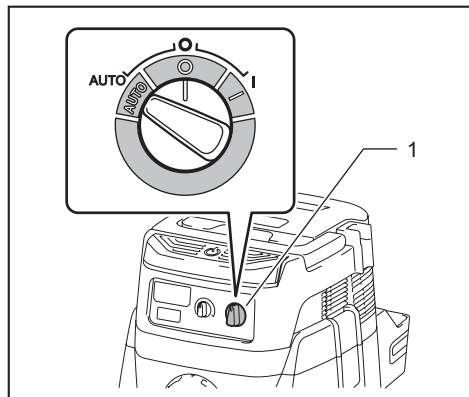
NOTE : Reportez-vous également au manuel d'instructions de l'outil.

Après l'enregistrement d'un outil sur l'aspirateur, ce dernier s'activera automatiquement lors de l'utilisation de l'interrupteur de l'outil.

1. Installez l'unité sans fil sur l'outil.
2. Raccordez le tuyau de l'aspirateur à l'outil.

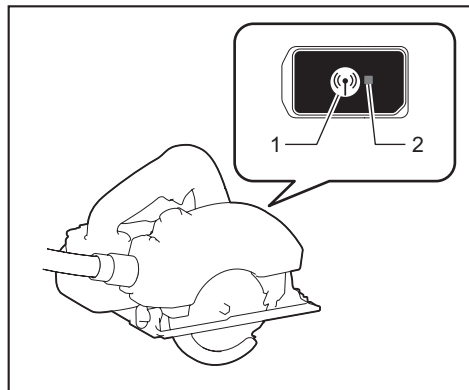


3. Mettez l'interrupteur de mise sous tension de l'aspirateur sur « AUTO ».



- 1. Interrupteur de mise sous tension

4. Appuyez un court instant sur le bouton d'activation sans fil sur l'outil. Le témoin d'activation sans fil clignotera en bleu.



- 1. Bouton d'activation sans fil 2. Témoin d'activation sans fil

5. Appuyez sur la gâchette de l'outil. Vérifiez si l'aspirateur fonctionne pendant que vous appuyez sur la gâchette de l'outil.

Pour arrêter l'activation sans fil, enfoncez le bouton d'activation sans fil sur l'outil, ou mettez l'interrupteur de mise sous tension sur « I » ou « O » sur l'aspirateur.

NOTE : Le témoin d'activation sans fil cessera de clignoter en bleu sur l'outil après 2 heures de non-utilisation. Dans ce cas, mettez l'interrupteur de mise sous tension de l'aspirateur sur « AUTO », et appuyez encore une fois sur le bouton d'activation sans fil sur l'outil.

NOTE : L'aspirateur démarre ou s'arrête avec un retard. Il y a un certain délai lorsque l'aspirateur détecte une utilisation de l'interrupteur de l'outil.

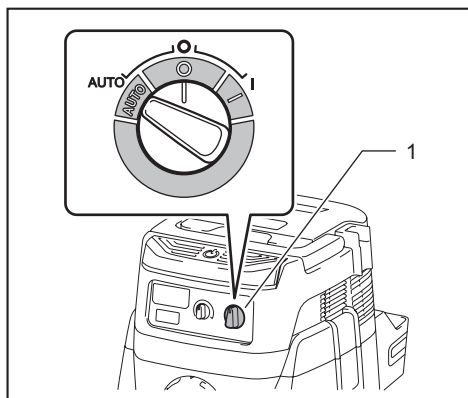
NOTE : La distance de transmission de l'unité sans fil peut varier suivant le lieu et les conditions environnantes.

NOTE : Lorsque deux outils ou plus sont enregistrés sur un aspirateur, celui-ci peut démarrer même si vous n'appuyez pas sur la gâchette, si un autre utilisateur utilise la fonction d'activation sans fil.

Annuler l'enregistrement d'outil pour l'aspirateur

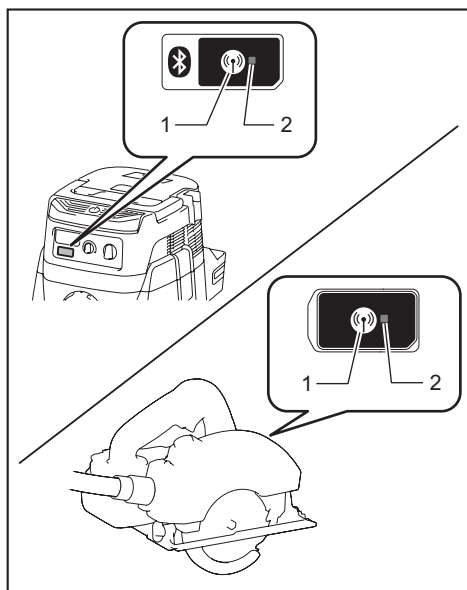
Procédez comme suit pour annuler l'enregistrement d'outil pour l'aspirateur.

1. Installez les batteries dans l'aspirateur et l'outil.
2. Mettez l'interrupteur de mise sous tension de l'aspirateur sur « AUTO ».



- 1. Interrupteur de mise sous tension

3. Appuyez sur le bouton d'activation sans fil sur l'aspirateur pendant 6 secondes. Le témoin d'activation sans fil clignote en vert puis devient rouge. Après cela, appuyez de la même manière sur le bouton d'activation sans fil sur l'outil.



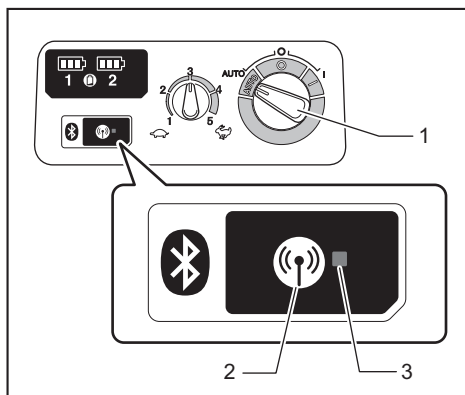
► 1. Bouton d'activation sans fil 2. Témoin d'activation sans fil

Si l'annulation réussit, les témoins d'activation sans fil s'allumeront en rouge pendant 2 secondes puis se mettront à clignoter en bleu.

NOTE : Les témoins d'activation sans fil cessent de clignoter en rouge au bout de 20 secondes. Appuyez sur le bouton d'activation sans fil sur l'outil pendant que le témoin d'activation sans fil clignote sur l'aspirateur. Si le témoin d'activation sans fil ne clignote pas en rouge, appuyez un court instant sur le bouton d'activation sans fil et maintenez-le enfoncé encore une fois.

Effacement de tous les enregistrements d'outil

Vous pouvez effacer tous les enregistrements d'outil sur l'aspirateur, en procédant comme suit.

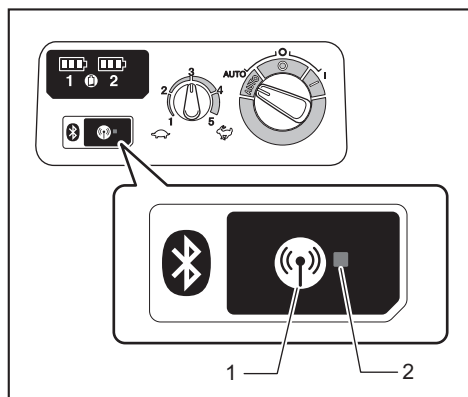


► 1. Interrupteur de mise sous tension 2. Bouton d'activation sans fil 3. Témoin d'activation sans fil

1. Installez les batteries dans l'aspirateur.
2. Mettez l'interrupteur de mise sous tension sur « AUTO ».
3. Maintenez enfoncé le bouton d'activation sans fil pendant environ 6 secondes, jusqu'à ce que le témoin d'activation sans fil clignote en rouge (environ deux fois par seconde).
4. Lorsque le témoin d'activation sans fil se met à clignoter en rouge, retirez votre doigt du bouton d'activation sans fil. Ensuite, maintenez enfoncé le bouton d'activation sans fil encore une fois pendant environ 6 secondes.
5. Lorsque le témoin d'activation sans fil se met à clignoter rapidement (environ 5 fois par seconde) en rouge, retirez votre doigt du bouton d'activation sans fil. Tous les enregistrements d'outil sont effacés lorsque le témoin d'activation sans fil s'allume en rouge puis s'éteint.

NOTE : Si le témoin d'activation sans fil ne clignote pas en rouge, appuyez un court instant sur le bouton d'activation sans fil et réessayez.

Description de l'état du témoin d'activation sans fil



► 1. Bouton d'activation sans fil 2. Témoin d'activation sans fil

Le témoin d'activation sans fil indique l'état de la fonction d'activation sans fil. Reportez-vous au tableau ci-dessous pour connaître la signification de l'état du témoin.

État	Témoin d'activation sans fil			Description	
	Couleur	<input type="checkbox"/> Allumé	<input type="checkbox"/> Clignotant		Durée
Attente	Bleu	<input type="checkbox"/>	<input checked="" type="checkbox"/>	Aspirateur : suite Outil : 2 heures	L'attente de l'enregistrement d'outil ou de la fonction d'activation sans fil est disponible. Le témoin de l'aspirateur clignote lorsque l'interrupteur de mise sous tension est sur AUTO. Le témoin de l'outil clignote lorsque le bouton d'activation sans fil est enfoncé. Le témoin de l'outil s'éteindra automatiquement après 2 heures de non-utilisation.
		<input type="checkbox"/>	<input type="checkbox"/>	Lorsque l'outil est en marche.	L'activation sans fil de l'aspirateur est disponible et l'outil est en marche.
Enregistrement d'outil	Vert	<input type="checkbox"/>	<input checked="" type="checkbox"/>	20 secondes	Prêt pour l'enregistrement d'outil. Recherche de l'outil à enregistrer en cours.
		<input type="checkbox"/>	<input type="checkbox"/>	2 secondes	L'enregistrement d'outil est terminé. Le témoin d'activation sans fil se mettra à clignoter en bleu.
Annuler/ Effacer l'enregistrement d'outil	Rouge	<input type="checkbox"/>	<input checked="" type="checkbox"/>	20 secondes	Prêt pour l'annulation de l'enregistrement d'outil. Recherche de l'outil à annuler en cours.
		<input type="checkbox"/>	<input checked="" type="checkbox"/>	Lorsque le bouton d'activation sans fil est enfoncé.	Prêt à effacer tous les enregistrements d'outil.
		<input type="checkbox"/>	<input type="checkbox"/>	2 secondes	L'enregistrement d'outil a été annulé/effacé. Le témoin d'activation sans fil se mettra à clignoter en bleu.
Autres	Rouge	<input type="checkbox"/>	<input type="checkbox"/>	3 secondes	L'alimentation est fournie à l'unité sans fil et la fonction d'activation sans fil démarre.
	Éteint	-	-	-	L'interrupteur de mise sous tension n'est pas sur « AUTO ».

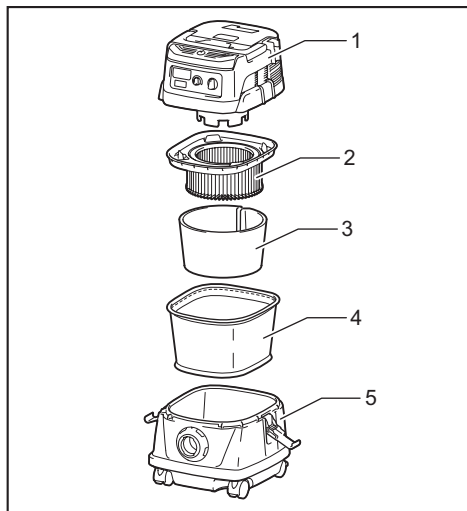
Dépannage de la fonction d'activation sans fil

Avant de faire une demande de réparation, faites d'abord votre propre inspection. Si vous rencontrez un problème non indiqué dans ce manuel, n'essayez pas de démonter l'outil. Demandez plutôt à un centre de service après-vente Makita agréé de faire la réparation avec des pièces de rechange Makita.

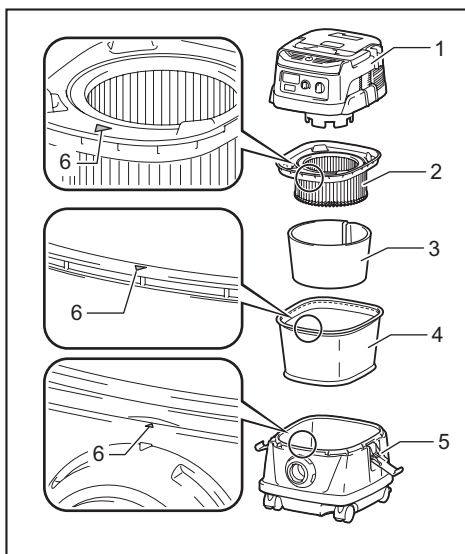
État anormal	Cause probable (dysfonctionnement)	Solution
Le témoin d'activation sans fil ne s'allume pas ou ne clignote pas.	L'unité sans fil n'est pas installée dans l'outil. L'unité sans fil n'est pas bien installée dans l'outil.	Installez l'unité sans fil correctement dans l'outil.
	La borne de l'unité sans fil et/ou la fente est sale.	Essayez doucement les poussières et saletés sur la borne de l'unité sans fil, et nettoyez la fente de l'outil.
	Vous n'avez pas appuyé sur le bouton d'activation sans fil sur l'outil.	Appuyez un court instant sur le bouton d'activation sans fil sur l'outil.
	L'interrupteur de mise sous tension de l'aspirateur n'est pas sur « AUTO ».	Mettez l'interrupteur de mise sous tension de l'aspirateur sur « AUTO ».
	Pas d'alimentation	Fournissez une source d'alimentation à l'outil et à l'aspirateur.
L'enregistrement d'outil ou l'annulation de l'enregistrement d'outil échoue.	L'unité sans fil n'est pas installée dans l'outil. L'unité sans fil n'est pas bien installée dans l'outil.	Installez l'unité sans fil correctement dans l'outil.
	La borne de l'unité sans fil et/ou la fente est sale.	Essayez doucement les poussières et saletés sur la borne de l'unité sans fil, et nettoyez la fente de l'outil.
	L'interrupteur de mise sous tension de l'aspirateur n'est pas sur « AUTO ».	Mettez l'interrupteur de mise sous tension de l'aspirateur sur « AUTO ».
	Pas d'alimentation	Fournissez une source d'alimentation à l'outil et à l'aspirateur.
	Utilisation incorrecte	Appuyez un court instant sur le bouton d'activation sans fil et reprenez la procédure d'enregistrement/annulation d'outil.
	L'outil et l'aspirateur sont trop éloignés l'un de l'autre (hors de portée de transmission).	Rapprochez l'outil et l'aspirateur l'un de l'autre. La distance maximale de transmission est d'environ 10 m, mais elle peut varier selon les circonstances.
	Avant de terminer l'enregistrement ou l'annulation de l'outil : - la gâchette est enfoncée sur l'outil ou; - le bouton d'alimentation de l'aspirateur est activé.	Appuyez un court instant sur le bouton d'activation sans fil et reprenez la procédure d'enregistrement/annulation d'outil.
	La procédure d'enregistrement d'outil n'a pas été achevée pour l'outil ou pour l'aspirateur.	Effectuez la procédure d'enregistrement d'outil pour l'outil et pour l'aspirateur au même moment.
Perturbation radioélectrique par d'autres appareils qui génèrent des ondes radio de forte intensité.	Gardez l'outil et l'aspirateur à l'écart des appareils tels que dispositifs Wi-Fi et fours à micro-ondes.	

État anormal	Cause probable (dysfonctionnement)	Solution
L'aspirateur n'est pas activé par l'utilisation de l'interrupteur de l'outil.	L'unité sans fil n'est pas installée dans l'outil. L'unité sans fil n'est pas bien installée dans l'outil.	Installez l'unité sans fil correctement dans l'outil.
	La borne de l'unité sans fil et/ou la fente est sale.	Essayez doucement les poussières et saletés sur la borne de l'unité sans fil, et nettoyez la fente de l'outil.
	Vous n'avez pas appuyé sur le bouton d'activation sans fil sur l'outil.	Appuyez un court instant sur le bouton d'activation sans fil et assurez-vous que le témoin d'activation sans fil clignote en bleu.
	L'interrupteur de mise sous tension de l'aspirateur n'est pas sur « AUTO ».	Mettez l'interrupteur de mise sous tension de l'aspirateur sur « AUTO ».
	Plus de 10 outils sont enregistrés sur l'aspirateur.	Reprenez l'enregistrement d'outil. Si plus de 10 outils sont enregistrés sur l'aspirateur, l'outil enregistré le plus tôt sera automatiquement annulé.
	L'aspirateur a effacé tous les enregistrements d'outil.	Reprenez l'enregistrement d'outil.
	Pas d'alimentation	Fournissez une source d'alimentation à l'outil et à l'aspirateur.
	L'outil et l'aspirateur sont trop éloignés l'un de l'autre (hors de portée de transmission).	Rapprochez l'outil et l'aspirateur l'un de l'autre. La distance maximale de transmission est d'environ 10 m, mais elle peut varier selon les circonstances.
	Perturbation radioélectrique par d'autres appareils qui génèrent des ondes radio de forte intensité.	Gardez l'outil et l'aspirateur à l'écart des appareils tels que dispositifs Wi-Fi et fours à micro-ondes.
L'aspirateur se met en marche alors que la gâchette de l'outil n'est pas enfoncée.	D'autres utilisateurs utilisent l'activation sans fil de l'aspirateur avec leurs outils.	Mettez le bouton d'activation sans fil en position d'arrêt sur les autres outils, ou annulez l'enregistrement d'outil des autres outils.
Impossible d'effacer tous les enregistrements d'outil dans l'aspirateur.	Pression du bouton d'activation sans fil sur l'outil.	Appuyez sur le bouton d'activation sans fil de l'aspirateur pour effacer tous les enregistrements d'outil.
	L'interrupteur de mise sous tension de l'aspirateur n'est pas sur « AUTO ».	Mettez l'interrupteur de mise sous tension de l'aspirateur sur « AUTO ».
	Le bouton d'activation sans fil n'est pas maintenu enfoncé correctement.	Maintenez enfoncé le bouton d'activation sans fil pendant plus de 6 secondes, puis libérez-le lorsque le témoin d'activation sans fil clignote en rouge. Maintenez enfoncé le bouton d'activation sans fil pendant plus de 6 secondes encore une fois, jusqu'à ce que le bouton d'activation sans fil clignote rapidement en rouge, puis libérez le bouton.

DESCRIPTION DES PIÈCES



- 1. Couvercle de réservoir 2. Filtre pour poussières (HEPA) 3. Amortisseur 4. Préfiltre 5. Réservoir



- 1. Couvercle de réservoir 2. Filtre pour poussières (HEPA) 3. Amortisseur 4. Préfiltre 5. Réservoir 6. Marque de position de montage

AVIS : Avant d'utiliser le filtre pour poussières, assurez-vous que le préfiltre et l'amortisseur sont toujours utilisés ensemble. Il n'est pas permis d'installer seulement le filtre pour poussières.

ASSEMBLAGE

ATTENTION : Assurez-vous toujours que l'outil est éteint et que sa batterie est retirée avant d'effectuer tout travail dessus.

ATTENTION : Portez toujours un masque antipoussières pendant l'assemblage ou l'entretien.

Pose du filtre pour poussières (HEPA) et du préfiltre (pour poussières sèches)

ATTENTION : N'aspirez jamais d'eau ou autres liquides ou de poussières mouillées lors de l'utilisation du filtre pour poussières. L'aspiration de telles choses peut endommager le filtre pour poussières.

Pour utiliser le filtre pour poussières :

1. Mettez le préfiltre dans le réservoir en alignant les marques de position de montage.
2. Montez l'amortisseur sur le filtre pour poussières puis mettez-les dans le préfiltre en alignant les marques de position de montage.
3. Finalement, montez le couvercle de réservoir et verrouillez-le.

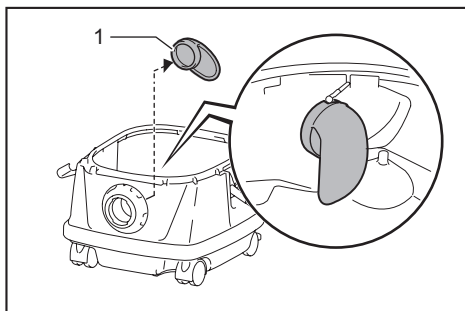
Pose du sac papier

Accessoire en option

MISE EN GARDE : Lorsque vous utilisez le sac papier, utilisez également le préfiltre préinstallé sur l'outil. Ne pas utiliser également le préfiltre peut causer un bruit inhabituel et de la chaleur, entraînant un incendie.

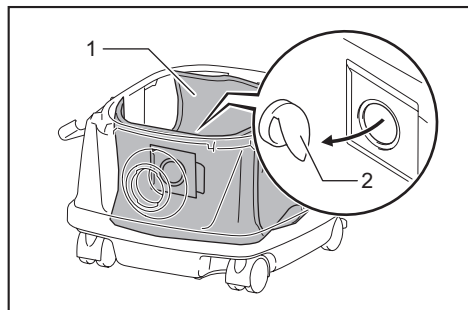
ATTENTION : Avant d'utiliser le sac papier, assurez-vous que le filtre pour poussières, l'amortisseur et le préfiltre sont toujours utilisés ensemble.

1. Retirez le support en caoutchouc.

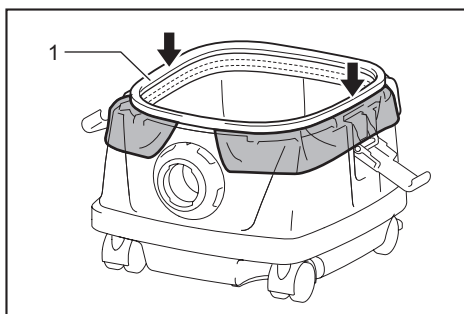


- 1. Support en caoutchouc

2. Déployez le sac papier.
3. Alignez l'ouverture du sac papier sur l'ouverture de succion des poussières de l'aspirateur.
4. Insérez le carton du sac papier dans le support de sorte qu'il soit placé à l'extrémité au-delà de la saillie de détente.



► 1. Sac papier 2. Support



► 1. Préfiltre

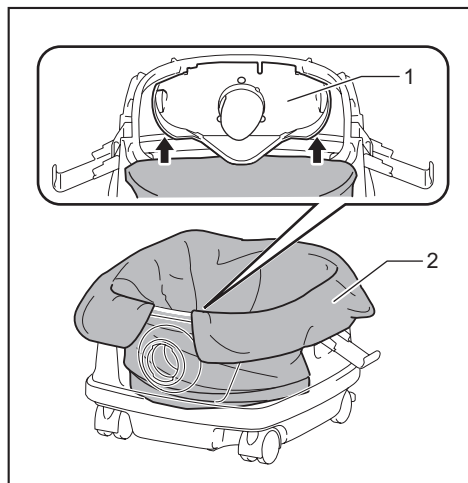
NOTE : Il est possible d'utiliser un sac en polyéthylène disponible dans le commerce. Une épaisseur de 0,04 mm ou plus est recommandée.

NOTE : Comme le sac se déchirera facilement s'il y a trop de poussières, ne collectez pas de poussières plus qu'à la moitié de la capacité du sac.

Pose du sac en polyéthylène

L'aspirateur peut également être utilisé sans sac en polyéthylène. Cependant, en utilisant le sac en polyéthylène il est plus facile de vider le réservoir sans se salir les mains.

Étendez le sac en polyéthylène dans le réservoir. Insérez-le entre la plaque de support et le réservoir, et tirez-le jusqu'à l'entrée de tuyau.



► 1. Plaque de support 2. Sac en polyéthylène

Étendez le sac autour du dessus du réservoir, de sorte que le bord du préfiltre puisse attraper et retenir le sac fermement.

Vidage du sac en polyéthylène

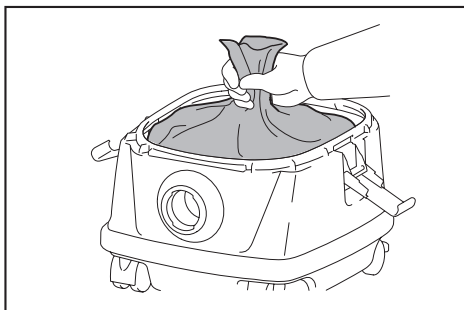
⚠ MISE EN GARDE : Avant de vider le sac en polyéthylène, assurez-vous toujours que l'aspirateur est éteint et que la batterie est retirée. Autrement, il y a risque de décharge électrique et de blessure grave.

⚠ ATTENTION : Évitez de heurter violemment le réservoir. Heurter violemment les pièces peut les déformer et les endommager.

⚠ ATTENTION : Videz le réservoir au moins une fois par jour, bien que cela dépende du volume de matières collectées dans le réservoir. Autrement, la force de succion faiblira et le moteur risque de tomber en panne.

⚠ ATTENTION : Ne saisissez pas le crochet lorsque vous videz le réservoir. Le crochet risque de casser s'il est saisi.

Décrochez et soulevez le couvercle de réservoir. Secouez les poussières du préfiltre, puis sortez le sac en polyéthylène du réservoir.

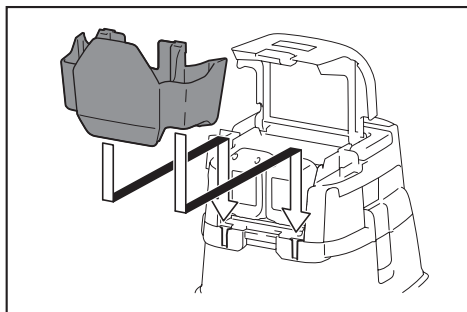


NOTE : Retirez soigneusement le sac en polyéthylène du réservoir, de sorte que le sac en polyéthylène ne puisse être attrapé et déchiré par la saillie à l'intérieur du réservoir pendant que vous le videz.

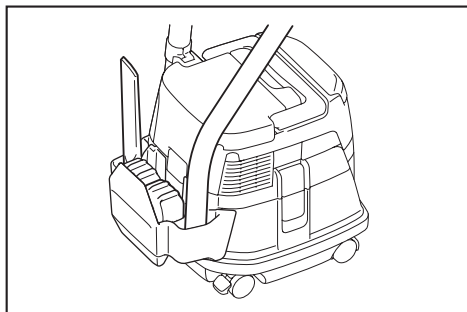
NOTE : Videz le sac en polyéthylène avant qu'il ne soit plein. Le sac en polyéthylène risque d'être déchiré s'il y a trop de poussières dans le réservoir.

Pose de la boîte à outils

1. Libérez le verrou du couvercle de batterie, et ouvrez le couvercle de batterie.
2. Mettez les rails de la boîte à outils le long des rainures du boîtier.
3. Fermez le couvercle de batterie et engagez le verrou.



La boîte à outils est pratique pour transporter des batteries, un tube ou des manchons.

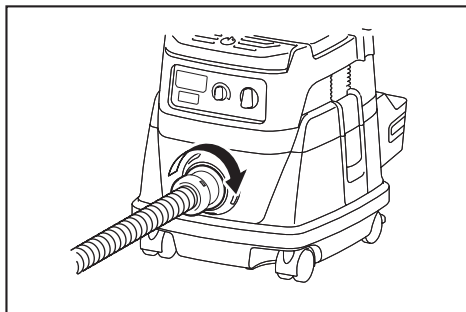


Raccordement du tuyau

AVIS : Ne forcez jamais le tuyau pour le plier, et ne le piétinez jamais. Ne déplacez jamais l'aspirateur en le saisissant par le tuyau. Forcer, piétiner ou tirer sur le tuyau peut le casser ou l'endommager.

AVIS : Lorsque vous collectez des copeaux de rabotage, poussières de béton ou autres gros déchets, utilisez le tuyau à diamètre intérieur de 38 mm (accessoire en option). L'utilisation du tuyau à diamètre intérieur de 28 mm (accessoire en option) peut causer le bouchage et l'endommagement du tuyau.

Insérez le tuyau dans le port de montage du réservoir et tournez-le dans le sens des aiguilles d'une montre jusqu'à ce qu'il se verrouille.



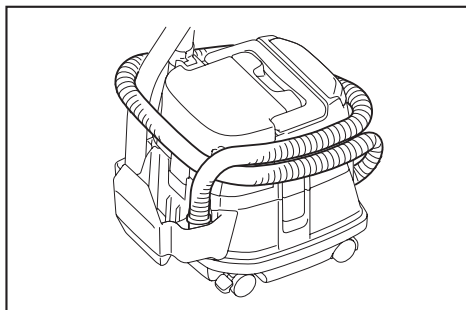
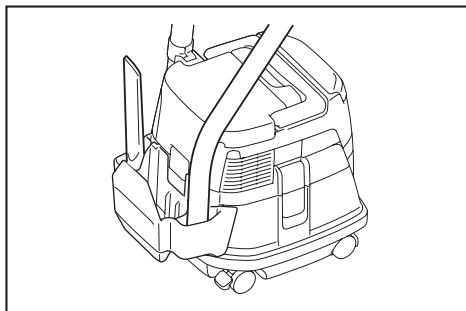
ENTRETIEN

ATTENTION : Assurez-vous toujours que l'outil est hors tension et que la batterie est retirée avant d'y effectuer tout travail d'inspection ou d'entretien.

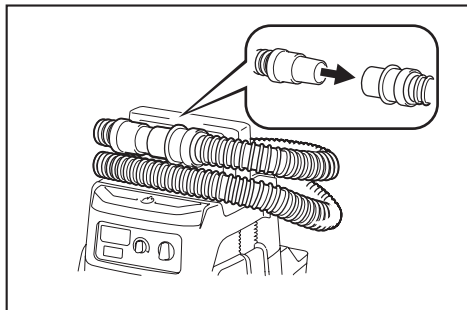
AVIS : N'utilisez jamais d'essence, de benzine, de solvant, d'alcool ou autres produits similaires. Une décoloration, une déformation ou la formation de fissures peuvent en découler.

Rangement des accessoires

Les tubes peuvent être mis dans le porte-tube lorsque l'aspirateur doit rester inutilisé pour une courte période.



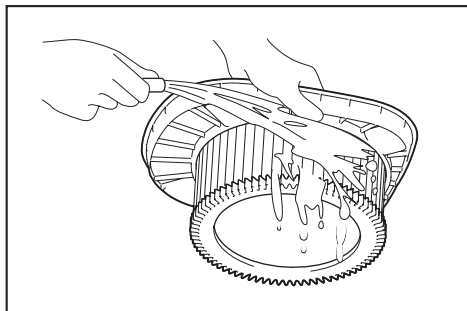
Le tuyau peut être rangé autour de l'outil en connectant chacune des extrémités.



Nettoyage du filtre pour poudres (HEPA) et du préfiltre

Un filtre pour poudres, préfiltre ou amortisseur bouché peut causer une succion médiocre. Nettoyez les filtres et l'amortisseur de temps à autre.

Pour enlever les poussières ou particules collées aux filtres, secouez rapidement le bas du cadre plusieurs fois.



Lavez occasionnellement le filtre pour poudres dans l'eau, puis rincez-le et laissez-le sécher complètement, à l'ombre, avant de l'utiliser. Ne lavez jamais les filtres dans une machine à laver.

NOTE : Évitez de frotter ou rayer le filtre pour poudres, le préfiltre ou l'amortisseur avec des objets durs tels que brosses et palettes.

NOTE : Les filtres s'usent avec le temps. Il est recommandé d'en avoir quelques-uns de rechange.

Pour maintenir la SÉCURITÉ et la FIABILITÉ du produit, les réparations et tout autre travail d'entretien ou de réglage doivent être effectués dans un centre de service après-vente autorisé ou une usine Makita, exclusivement avec des pièces de rechange Makita.

ACCESSOIRES EN OPTION

ATTENTION : Ces accessoires ou pièces complémentaires sont recommandés pour l'utilisation avec l'outil Makita spécifié dans ce manuel. L'utilisation de tout autre accessoire ou pièce complémentaire peut comporter un risque de blessure. N'utilisez les accessoires ou pièces complémentaires qu'aux fins auxquelles ils ont été conçus.

Si vous désirez obtenir plus de détails sur ces accessoires, veuillez contacter le centre de service après-vente Makita le plus près.

- Tuyau
- Manchon avant (22, 24, 38)
- Tuyau rectiligne
- Buse à angle
- Brosse ronde
- Filtre pour poudres, HEPA (pour poussières sèches)
- Amortisseur
- Préfiltre
- Ensemble-buse
- Tuyau coudé
- Sac en polyéthylène
- Sac papier
- Jeu de support
- Chargeur et batterie authentiques Makita

NOTE : Certains éléments de la liste peuvent être inclus avec l'outil comme accessoires standards. Ils peuvent varier suivant les pays.

GARANTIE LIMITÉE D'UN AN DE MAKITA

Politique de garantie

Tous les outils Makita sont soigneusement inspectés et mis à l'essai avant de quitter l'usine. Ils sont garantis contre les vices de fabrication et de matériau pour une période d'UN AN suivant la date de l'achat original. Si un problème survient pendant cette période d'un an, retournez l'outil COMPLET, fret payé d'avance, à une usine ou un centre de service après-vente autorisé Makita. S'il ressort de l'inspection que le problème est dû à un vice de fabrication ou de matériau, Makita réparera (ou remplacera, à son gré) l'outil gratuitement. Cette garantie ne s'applique pas dans les cas où :

- des réparations ont été effectuées ou tentées par un tiers;
- des réparations sont nécessaires en raison de l'usure normale;
- l'outil a été malmené, mal utilisé ou non adéquatement entretenu;
- l'outil a subi des modifications.

MAKITA NE SERA EN AUCUN CAS RESPONSABLE DE TOUS DOMMAGES INDIRECTS, ACCESSOIRES OU CONSÉCUTIFS DE LA VENTE OU DE L'UTILISATION DU PRODUIT. CET AVIS DE NON-RESPONSABILITÉ S'APPLIQUE PENDANT ET APRÈS LA PÉRIODE COUVERTE PAR CETTE GARANTIE.

MAKITA DÉCLINE TOUTE RESPONSABILITÉ QUANT À TOUTES GARANTIES IMPLICITES, Y COMPRIS LES GARANTIES DE « QUALITÉ MARCHANDE » OU D'« ADAPTATION À UN USAGE PARTICULIER » APRÈS LA PÉRIODE DE GARANTIE D'UN AN.

Cette garantie vous donne des droits légaux spécifiques, et vous pouvez également avoir d'autres droits qui varient d'une province à l'autre. Certaines provinces n'autorisant pas l'exclusion ou la restriction des dommages accessoires ou consécutifs, il se peut que la restriction ou l'exclusion ci-dessus ne s'applique pas à vous. Certaines provinces n'autorisant pas de restriction quant à la durée des garanties implicites, il se peut que la restriction ci-dessus ne s'applique pas à vous.

ESPECIFICACIONES

Modelo:	DVC864L
Tipo de filtro estándar	Filtro de polvo (para polvo seco)
Volumen de aire máximo (con el BL1850B, manguera de ø38 mm (1-1/2") x 2,5 m (98-1/2"))	2,1 m ³ /min (74 cu.ft/min)
Aspiradora (con el BL1850B, manguera de ø38 mm (1-1/2") x 2,5 m (98-1/2"))	98 hPa
Capacidad recuperable	8 L (2,1 gal)
Dimensiones (La x An x Al)	366 mm x 334 mm x 368 mm (14-3/8" x 13-1/8" x 14-1/2")
Tensión nominal	36 V c.c.
Batería estándar	BL1815N, BL1820B, BL1830, BL1830B, BL1840B, BL1850B, BL1860B
Peso neto	7,7 kg - 8,4 kg (17,1 lbs - 18,4 lbs)
Versión de Bluetooth®	4,1 (Bluetooth low energy)
Banda de frecuencia	2 402 MHz - 2 480 MHz
Potencia máxima de radiofrecuencia	1,0 dBm (PIRE)
Rango de transmisión	Aproximadamente 10 m

- Debido a nuestro continuo programa de investigación y desarrollo, las especificaciones aquí incluidas están sujetas a cambio sin previo aviso.
- Las especificaciones y el cartucho de batería pueden variar de país a país.
- El peso incluye el o los cartuchos de batería, pero no los accesorios. La combinación de menor y mayor peso del aparato y del o los cartuchos de batería se muestra en la tabla.



El término Bluetooth® así como su marca y logo son marcas registradas propiedad de Bluetooth SIG, Inc. y su uso por parte de Makita está autorizado bajo licencia. Las demás marcas registradas y nombres comerciales pertenecen a sus respectivos propietarios.

ADVERTENCIAS DE SEGURIDAD

Para Estados Unidos y Canadá únicamente

Este dispositivo cumple con la Parte 15 de las Normas de la FCC y con las Normas de exención de licencias RSS de Industry Canada. El funcionamiento está sujeto a las siguientes dos condiciones: (1) este dispositivo no debe causar una interferencia dañina, y (2) este dispositivo debe aceptar cualquier interferencia recibida, incluida la

interferencia que pueda ocasionar una operación no deseada.

Este equipo cumple con los límites de exposición a la radiación de la FCC/IC establecidos para un entorno no controlado y cumple con las Directrices de exposición a radiofrecuencia (RF) de la FCC y con las Reglas de exposición a radiofrecuencia (RF) RSS-102 de IC. Este equipo tiene niveles muy bajos de energía de RF que se considera que cumplen con lo estipulado sin necesidad de una evaluación de la exposición máxima permitida (MPE).

INSTRUCCIONES IMPORTANTES DE SEGURIDAD

Al usar cualquier aparato eléctrico, siempre deben seguirse las precauciones básicas, incluyendo las siguientes:

GUARDE ESTAS INSTRUCCIONES.

ADVERTENCIA

Para reducir el riesgo de incendio, descarga eléctrica o lesión:

1. No deje el aparato con la batería puesta. Retire la batería del aparato cuando no lo vaya a utilizar y antes de dar servicio de mantenimiento.
2. No lo utilice sobre superficies húmedas. No lo exponga a la lluvia. Almacénelo en interiores.
3. No permita que sea utilizado como un juguete. Preste mucha atención cuando sea utilizado por niños o cerca de ellos.
4. Utilícelo solamente como se describe en este manual. Sólo use aditamentos recomendados por el fabricante.
5. No lo utilice con una batería dañada. Si el aparato no está funcionando como debiera, se ha dejado caer, se ha dañado, se ha dejado a la intemperie o ha caído sobre agua, llévelo a un centro de servicio.
6. No manipule la batería ni el aparato con las manos mojadas.
7. No introduzca ningún objeto en las aberturas. No lo utilice con ninguna abertura bloqueada; manténgalo libre de polvo, pelusa, cabello y cualquier objeto que pueda reducir el flujo de aire.
8. Mantenga el cabello, la ropa holgada, los dedos y todas las partes del cuerpo lejos de las aberturas y piezas móviles.
9. Apague todos los controles antes de retirar el cartucho de batería.
10. Tenga especial cuidado cuando limpie en escaleras.
11. No lo utilice para recoger líquidos inflamables o combustibles, tal como gasolina, ni en áreas donde puedan estar presentes.
12. Utilice solamente el cargador suministrado por el fabricante para recargar.
13. No recoja nada que se esté quemando o desprenda humo, tal como cigarrillos, fósforos o cenizas calientes.
14. No lo utilice sin los filtros colocados en su lugar. Reemplace cualquier filtro dañado de inmediato.
15. No cargue la batería en exteriores.
16. Use las herramientas eléctricas solamente con los paquetes de baterías designados específicamente. El uso de otros paquetes de baterías puede generar riesgo de lesiones e incendio.
17. Cuando no se esté usando el paquete de baterías, guárdelo lejos de otros objetos metálicos tales como sujetapapeles (clips), monedas, llaves, clavos, tornillos u otros objetos metálicos pequeños que puedan crear una conexión entre una terminal y otra. Ocasionar un cortocircuito en las terminales de la batería puede provocar quemaduras o incendios.
18. No utilice la aspiradora como banco o mesa de trabajo. La máquina podría caerse y ocasionar una lesión personal.

Uso y cuidado de la herramienta a batería

1. Recargue sólo con el cargador especificado por el fabricante. Un cargador que es adecuado para un solo tipo de batería puede generar riesgo de incendio al ser utilizado con otra batería.



2. **Utilice las herramientas eléctricas solamente con las baterías designadas específicamente para ellas.** La utilización de cualquier otra batería puede crear un riesgo de lesiones o incendio.
3. **Cuando no se esté usando la batería, manténgala alejada de otros objetos metálicos, como sujetapapeles (clips), monedas, llaves, clavos, tornillos u otros objetos pequeños de metal los cuales pueden actuar creando una conexión entre las terminales de la batería.** Originar un cortocircuito en las terminales puede causar quemaduras o incendios.
4. **En condiciones abusivas, podrá escapar líquido de la batería; evite tocarlo. Si lo toca accidentalmente, enjuague con agua. Si hay contacto del líquido con los ojos, busque asistencia médica.** Puede que el líquido expulsado de la batería cause irritación o quemaduras.
5. **No utilice una herramienta ni una batería que estén dañadas o hayan sido modificadas. Las baterías dañadas o modificadas podrían ocasionar una situación inesperada provocando un incendio, explosión o riesgo de lesiones.**
6. **No esponga la herramienta ni la batería al fuego ni a una temperatura excesiva. La exposición al fuego o a una temperatura superior a los 130 °C podría causar una explosión.**
7. **Siga todas las instrucciones para la carga y evite cargar la herramienta o la batería fuera del rango de temperatura especificado en las instrucciones. Una carga inadecuada o a una temperatura fuera del rango especificado podría dañar la batería e incrementar el riesgo de incendio.**

GUARDE ESTAS INSTRUCCIONES.

Este aparato está diseñado para uso comercial.

Símbolos

A continuación se muestran los símbolos utilizados para la herramienta.

v	volts o voltios
— — —	corriente directa o continua
	Ponga especial atención y tenga cuidado.
	Nunca se pare sobre la aspiradora.

Instrucciones importantes de seguridad para el cartucho de batería

1. **Antes de utilizar el cartucho de batería, lea todas las instrucciones e indicaciones de precaución en el (1) el cargador de batería, (2) la batería, y (3) el producto con el que se utiliza la batería.**
2. **No desarme el cartucho de batería.**
3. **Si el tiempo de operación se ha acortado en exceso, deje de operar de inmediato. Podría correrse el riesgo de sobrecalentamiento, posibles quemaduras e incluso explosión.**
4. **En caso de que ingresen electrolitos en sus ojos, enjuáguelos bien con agua limpia y consulte de inmediato a un médico. Esto podría ocasionar pérdida de visión.**
5. **Evite cortocircuitar el cartucho de batería:**
 - (1) **No toque las terminales con ningún material conductor.**
 - (2) **Evite guardar el cartucho de batería en un cajón junto con otros objetos metálicos, tales como clavos, monedas, etc.**

- (3) **No exponga el cartucho de batería al agua o la lluvia.**

Un cortocircuito en la batería puede causar un flujo grande de corriente, sobrecalentamiento, posibles quemaduras e incluso una descompostura.

6. **No guarde la herramienta ni el cartucho de batería en lugares donde la temperatura pueda alcanzar o exceder los 50°C (122°F).**
7. **Nunca incinere el cartucho de batería incluso en el caso de que esté dañado seriamente o ya no sirva en absoluto. El cartucho de batería puede explotar si se tira al fuego.**
8. **Tenga cuidado de no dejar caer ni golpear la batería.**
9. **No use una batería dañada.**
10. **Las baterías de ión de litio están sujetas a los requisitos reglamentarios en materia de bienes peligrosos.**
Para el transporte comercial, por ej., mediante terceros o agentes de transporte, se deben tomar en cuenta los requisitos especiales relativos al empaque y el etiquetado. Para efectuar los preparativos del artículo que se va a enviar, se requiere consultar a un experto en materiales peligrosos. Si es posible, consulte además otras regulaciones nacionales más detalladas. Pegue o cubra con cinta adhesiva los contactos abiertos y empaque la batería de manera que ésta no pueda moverse dentro del paquete.
11. **Siga las regulaciones locales relacionadas al desecho de las baterías.**
12. **Utilice las baterías únicamente con los productos especificados por Makita.** Instalar las baterías en productos que no cumplen con los requisitos podría ocasionar un incendio, un calentamiento excesivo, una explosión o una fuga de electrolito.

⚠PRECAUCIÓN: Utilice únicamente baterías originales de Makita. El uso de baterías no originales de Makita, o de baterías alteradas, puede ocasionar que las baterías exploten causando un incendio, lesiones personales y daños. Asimismo, esto invalidará la garantía de Makita para la herramienta y el cargador Makita.

Consejos para alargar al máximo la vida útil de la batería

1. **Cargue el cartucho de batería antes de que se descargue completamente. Pare siempre la operación y cargue el cartucho de batería cuando note menos potencia en la herramienta.**
2. **No cargue nunca un cartucho de batería que esté completamente cargado. La sobrecarga acortará la vida de servicio de la batería.**
3. **Cargue el cartucho de batería a una temperatura ambiente de 10 °C - 40 °C (50 °F - 104 °F). Si un cartucho de batería está caliente, déjelo enfriar antes de cargarlo.**
4. **Cargue el cartucho de batería si no va a utilizarlo durante un periodo prolongado (más de seis meses).**

Instrucciones importantes de seguridad para la unidad inalámbrica

1. **No desarme ni modifique la aspiradora. La unidad inalámbrica en la aspiradora no puede retirarse.**
2. **No utilice la función de activación inalámbrica en lugares donde haya cerca instrumentos médicos, marcapasos o dispositivos automatizados tales como puertas automáticas y alarmas contra incendios.**
3. **No utilice la aspiradora en lugares donde la temperatura exceda los 50°C (122°F).**
4. **La unidad inalámbrica es un instrumento de precisión. Tenga cuidado de no dejar caer ni golpear la aspiradora.**
5. **No deje la aspiradora en un lugar donde pueda generarse electricidad estática o ruido eléctrico.**

GUARDE ESTAS INSTRUCCIONES.

DESCRIPCIÓN DEL FUNCIONAMIENTO

⚠PRECAUCIÓN: Asegúrese siempre de que la herramienta esté apagada y el cartucho de batería haya sido extraído antes de realizar cualquier ajuste o comprobación en la herramienta.

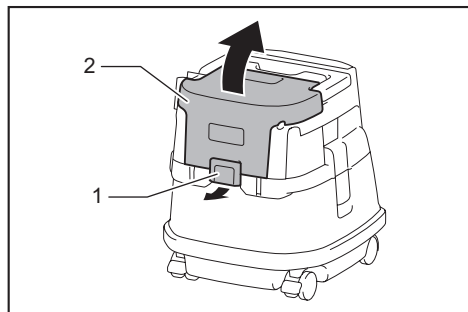
Instalación o extracción del cartucho de batería

⚠PRECAUCIÓN: Apague siempre la herramienta antes de colocar o quitar el cartucho de batería.

⚠PRECAUCIÓN: Sujete la herramienta y el cartucho de la batería con firmeza al colocar o quitar el cartucho de batería. Si no se sujeta con firmeza la herramienta y el cartucho de batería, puede ocasionar que se resbalen de sus manos causando daños a la herramienta y al cartucho de batería, así como lesiones a la persona.

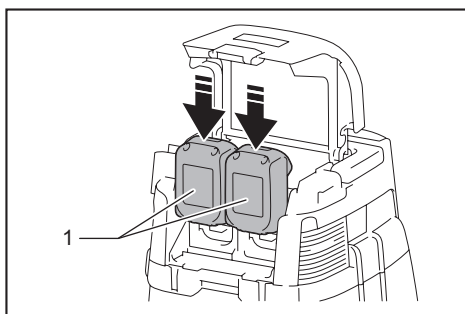
⚠PRECAUCIÓN: Tenga cuidado de no pellizcar sus dedos al abrir o cerrar la cubierta de la batería. El no hacerlo podría causar lesiones personales.

Para instalar el cartucho de batería, libere el seguro primero y abra la cubierta de la batería. Luego inserte el cartucho de batería.



► 1. Seguro 2. Cubierta de la batería

Alinee la lengüeta en el cartucho de batería con la ranura en la carcasa y deslícelo en su lugar. Insértelo por completo hasta que quede asegurado en su lugar haciendo un pequeño clic. Luego cierre con el seguro la cubierta de la batería.



► 1. Cartucho de batería

Para quitar el cartucho de batería, deslícelo de la herramienta mientras desliza el botón sobre la parte delantera del cartucho.

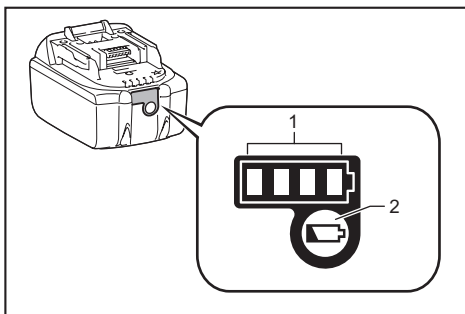
⚠PRECAUCIÓN: Introduzca siempre completamente el cartucho de batería hasta que el indicador rojo no pueda verse. Si no, podría accidentalmente salirse de la herramienta y caer al suelo causando una lesión a usted o alguien a su alrededor.

⚠PRECAUCIÓN: No instale el cartucho de batería a la fuerza. Si el cartucho no se desliza al interior fácilmente, se debe a que no está siendo insertado correctamente.

NOTA: La aspiradora no funciona con un sólo cartucho de batería.

Indicación de la capacidad restante de la batería

Únicamente para cartuchos de batería con el indicador



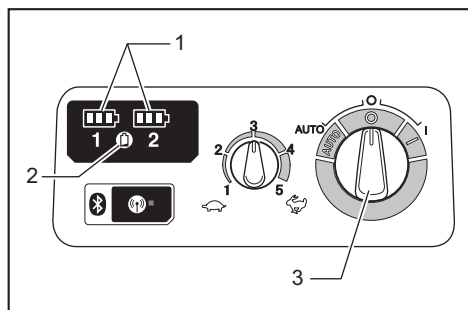
► 1. Luces indicadoras 2. Botón de verificación

Oprima el botón de verificación en el cartucho de la batería para que indique la capacidad restante de la batería. Las luces indicadoras se iluminarán por algunos segundos.

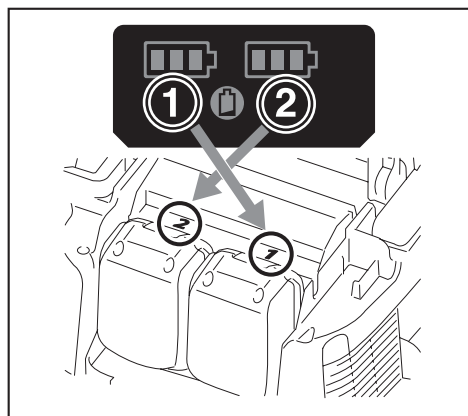
Luces indicadoras			Capacidad restante
Iluminadas	Apagadas	Parpadeando	
■	□	▧	75% a 100%
■ ■ ■ ■			
	■ ■ ■ □		50% a 75%
	■ ■ □ □		25% a 50%
	■ □ □ □		0% a 25%
▧	□ □ □ □		Cargar la batería.
■ ■ □ □	□ □	▧	La batería pudo haber funcionado mal.
□ □ ■ ■	↑ ↓		

NOTA: Dependiendo de las condiciones de uso y la temperatura ambiente, la indicación podrá diferir ligeramente de la capacidad real.

Indicación de capacidad restante de la batería



- ▶ 1. Indicador de batería
- ▶ 2. Botón de verificación
- ▶ 3. Interruptor de modo en espera



Oprima el botón de verificación para indicar las capacidades restantes de la batería. Los indicadores de batería corresponden a cada batería.

Estado del indicador de batería			Capacidad restante de la batería
Encendido	Apagado	Parpadeando	
■	□	▧	50% a 100%
	■ ■ ■ ■		
	■ ■ ■ □		20% a 50%
	■ ■ □ □		0% a 20%
	■ □ □ □		Cargar la batería

NOTA: Si la aspiradora está encendida con el interruptor de modo en espera ajustado en "AUTO", el indicador de batería no funcionará.

Sistema de protección para la herramienta/batería

La herramienta está equipada con un sistema de protección de la herramienta/batería. Este sistema corta en forma automática el suministro de energía al motor para prolongar la vida útil de la herramienta y la batería. La herramienta se detendrá automáticamente durante la operación si la herramienta o la batería se someten a una de las siguientes condiciones:

Protección contra sobrecarga

Cuando la herramienta se está utilizando de manera que causa que consuma una cantidad de corriente inusualmente alta, la herramienta se detiene automáticamente sin que haya indicación alguna. En este caso, apague la herramienta y detenga la aplicación que causó que la herramienta se sobrecargara. Luego encienda la herramienta para reiniciarla.

Protección contra sobrecalentamiento

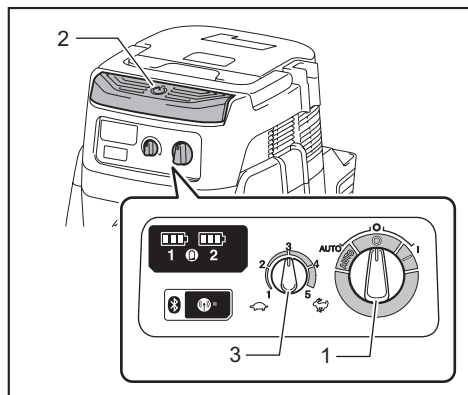
■ Encendido	▧ Parpadeando
	▧

Cuando la herramienta se sobrecalienta, ésta se detiene automáticamente y el indicador de batería parpadea alrededor de 60 segundos. En este caso, espere a que la herramienta se enfríe antes de volver a encenderla.

Protección contra sobredescarga

Cuando la capacidad de la batería se reduce, la herramienta se detiene automáticamente. Si el producto no funciona incluso cuando los interruptores están siendo operados, retire las baterías de la herramienta y cárguelas.

Accionamiento del interruptor



- 1. Interruptor de modo en espera 2. Botón de encendido/apagado 3. Perilla de ajuste de la fuerza de succión

Para arrancar la aspiradora:

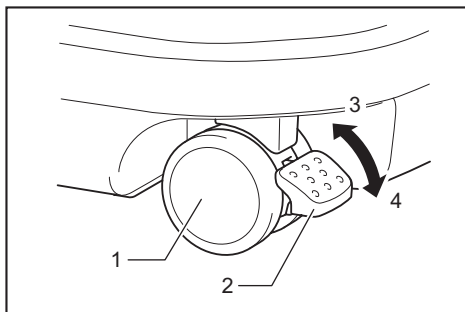
1. Ajuste el interruptor de modo en espera en el lado "I". La aspiradora se pondrá en el estado de modo en espera.
2. Oprima el botón de encendido/apagado. Para poner la aspiradora en el modo en espera, oprima nuevamente el botón de encendido/apagado. Para apagar la aspiradora, ajuste el interruptor de modo en espera en el lado "O".

La potencia de succión se puede ajustar según sus necesidades de trabajo.

La potencia de succión se puede incrementar girando la perilla de ajuste de la fuerza de succión del símbolo al símbolo .

AVISO: Ajuste siempre el interruptor de modo en espera en el lado "O" cuando no vaya a utilizar la aspiradora durante un tiempo prolongado. La aspiradora consumirá energía durante el estado de modo en espera.

Bloqueo o desbloqueo de la rueda



- 1. Rueda 2. Palanca del tope 3. Posición LIBERADA 4. Posición BLOQUEADA

Es conveniente bloquear la rueda para almacenar la aspiradora, detener el trabajo momentáneamente y mantener la aspiradora inmóvil.

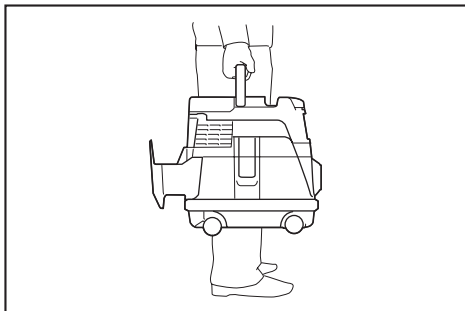
Para usar el tope, muévelo manualmente.

Para bloquear la rueda con el tope, baje la palanca del tope y la rueda ya no podrá girar. Para liberar la rueda de la posición bloqueada, levante la palanca del tope.

NOTA: Cuando mueva la aspiradora, asegúrese de que la rueda esté desbloqueada. El mover la aspiradora con la rueda en la posición bloqueada podría causar daños a la rueda.

Mango de transporte

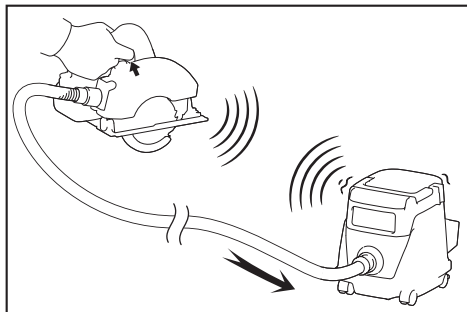
Cuando transporte la aspiradora, sosténgala del mango ubicado en la cabeza. El mango en la cabeza es retráctil para guardarse cuando no se utilice.



FUNCIÓN DE ACTIVACIÓN INALÁMBRICA

Lo que puede hacer con la función de activación inalámbrica

La función de activación inalámbrica permite una operación limpia y cómoda. Si conecta a la aspiradora una herramienta compatible, podrá hacer que la aspiradora funcione automáticamente al activar el interruptor de la herramienta.



AVISO: Asegúrese de consultar el manual de instrucciones de la herramienta cuando utilice la aspiradora con la función de activación inalámbrica.

AVISO: No desarme ni modifique la unidad inalámbrica.

AVISO: Cierre siempre la tapa de la unidad inalámbrica en la herramienta durante la operación o el almacenamiento.

AVISO: No retire la unidad inalámbrica de la herramienta mientras se esté suministrando energía a la herramienta. El hacerlo podría causar una avería de la unidad inalámbrica.

AVISO: No oprima el botón de activación inalámbrica demasiado fuerte ni lo haga con ningún objeto que tenga un borde filoso.

NOTA: La activación inalámbrica requiere que la unidad inalámbrica esté equipada con herramientas Makita.

NOTA: Antes de usar por primera vez la función de activación inalámbrica con cada herramienta, es necesario registrar la herramienta. Una vez finalizado el registro de la herramienta, éste no será necesario de nuevo a menos que haya sido cancelado.

NOTA: Antes del registro, asegúrese de que la unidad inalámbrica haya sido insertada correctamente en la herramienta.

NOTA: Se puede registrar hasta 10 herramientas en una aspiradora. Si más de 10 herramientas están registradas en la aspiradora, la herramienta registrada al principio se cancelará automáticamente.

NOTA: La posición del botón de activación inalámbrica varía en función de la herramienta.

NOTA: La aspiradora también puede ponerse en marcha oprimiendo el botón de encendido/apagado cuando el interruptor de modo en espera está ajustado en "AUTO".

Sin embargo, el botón de encendido/apagado no se activará cuando la función de activación inalámbrica se esté utilizando.

Registro de herramientas para la aspiradora

NOTA: Para el registro de la herramienta, se requiere una herramienta Makita compatible con la función de activación inalámbrica.

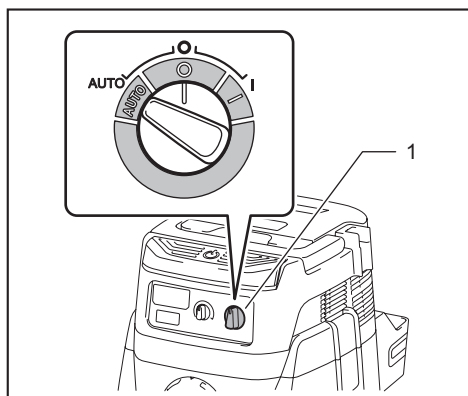
NOTA: Termine de instalar la unidad inalámbrica en la herramienta antes de comenzar con el registro de la herramienta.

NOTA: Durante el registro de la herramienta, no jale el gatillo interruptor en la herramienta ni active el interruptor de encendido/apagado en la aspiradora.

NOTA: Consulte también el manual de instrucciones de la herramienta.

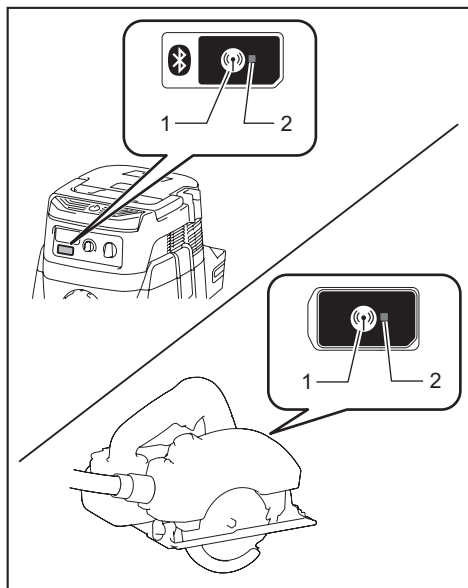
Si desea activar la aspiradora junto con el interruptor de activación de la herramienta, termine antes con el registro de la herramienta.

1. Instale las baterías en la aspiradora y en la herramienta.
2. Ajuste el interruptor de modo en espera en la aspiradora en "AUTO".



► 1. Interruptor de modo en espera

3. Oprima el botón de activación inalámbrica en la aspiradora durante 3 segundos hasta que la luz indicadora de activación inalámbrica parpadee en verde. Y luego oprima el botón de activación inalámbrica en la herramienta de la misma manera.



► 1. Botón de activación inalámbrica 2. Luz indicadora de activación inalámbrica

Si la aspiradora y la herramienta han sido conectadas exitosamente, las luces indicadoras de activación inalámbrica se encenderán en verde durante 2 segundos y comenzarán a parpadear en azul.

NOTA: Las luces indicadoras de activación inalámbrica terminarán parpadeando en verde después de un lapso de 20 segundos. Oprima el botón de activación inalámbrica en la herramienta mientras la luz indicadora de activación inalámbrica en la aspiradora esté parpadeando. Si la luz indicadora de activación inalámbrica no parpadea en verde, oprima el botón de activación inalámbrica durante un lapso breve y vuelva a mantenerlo oprimido.

NOTA: Cuando realice dos o más registros de herramientas para una aspiradora, termine el registro de las herramientas de uno en uno.

Inicio de la función de activación inalámbrica

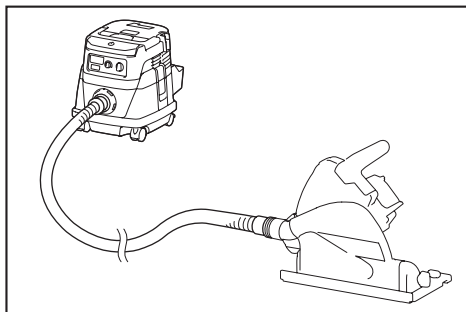
NOTA: Termine con el registro de la herramienta en la aspiradora para la activación inalámbrica.

NOTA: Coloque siempre la aspiradora de manera que pueda ver el estado de la luz indicadora de activación inalámbrica.

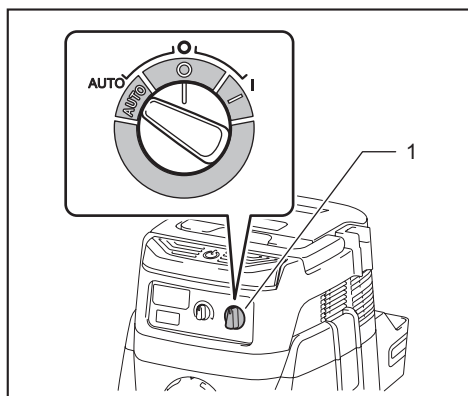
NOTA: Consulte también el manual de instrucciones de la herramienta.

Después de registrar una herramienta en la aspiradora, esta última se activará automáticamente junto con el interruptor de activación de la herramienta.

1. Instale la unidad inalámbrica en la herramienta.
2. Conecte la manguera de la aspiradora a la herramienta.

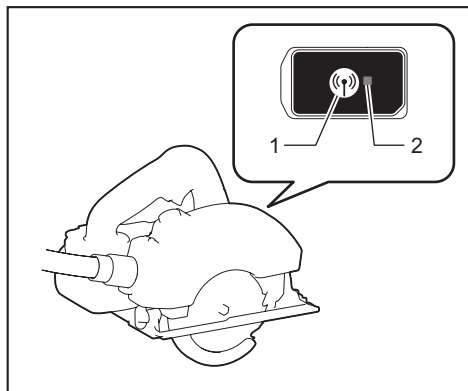


3. Ajuste el interruptor de modo en espera en la aspiradora en "AUTO".



► 1. Interruptor de modo en espera

4. Oprima el botón de activación inalámbrica en la herramienta durante un lapso breve. La luz indicadora de activación inalámbrica parpadeará en azul.



► 1. Botón de activación inalámbrica 2. Luz indicadora de activación inalámbrica

5. Jale el gatillo interruptor de la herramienta. Verifique que la aspiradora funcione mientras jala el gatillo interruptor en la herramienta.

Para detener la activación inalámbrica, oprima el botón de activación inalámbrica en la herramienta, o ajuste el interruptor de modo en espera en la aspiradora en "I" o en "O".

NOTA: La luz indicadora de activación inalámbrica en la herramienta dejará de parpadear en azul cuando no haya operación durante 2 horas. En este caso, ajuste el interruptor de modo en espera en la aspiradora en "AUTO" y oprima el botón de activación inalámbrica en la herramienta nuevamente.

NOTA: La aspiradora se pondrá en marcha/detendrá con un retraso. Existirá un desfase cuando la aspiradora detecte la activación del interruptor de la herramienta.

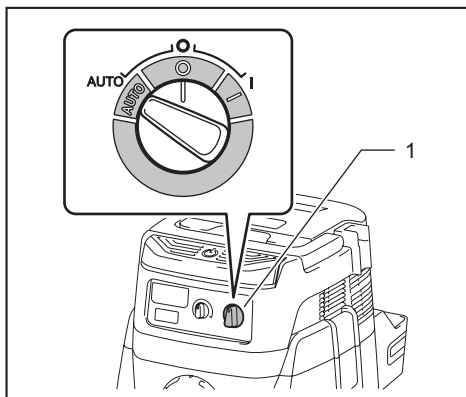
NOTA: La distancia de transmisión de la unidad inalámbrica podrá variar en función del lugar y las circunstancias de los alrededores.

NOTA: Cuando dos o más herramientas estén registradas en una aspiradora, esta última podrá comenzar a funcionar incluso si usted no jala el gatillo interruptor debido a que otro usuario está utilizando la función de activación inalámbrica.

Cancelación del registro de herramientas para la aspiradora

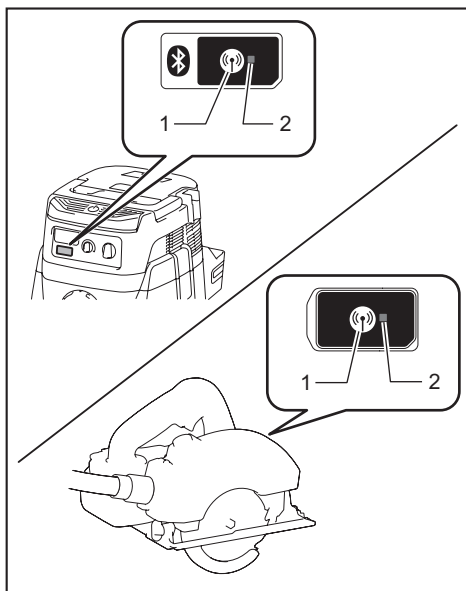
Realice el siguiente procedimiento para cancelar el registro de la herramienta para la aspiradora.

1. Instale las baterías en la aspiradora y en la herramienta.
2. Ajuste el interruptor de modo en espera en la aspiradora en "AUTO".



► 1. Interruptor de modo en espera

3. Oprima el botón de activación inalámbrica en la aspiradora durante 6 segundos. La luz indicadora de activación inalámbrica parpadeará en verde y luego se pondrá en rojo. Después de eso, oprima el botón de activación inalámbrica en la herramienta de la misma manera.



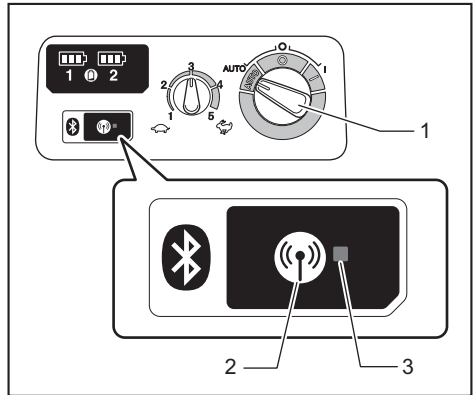
► 1. Botón de activación inalámbrica 2. Luz indicadora de activación inalámbrica

Si la cancelación se realiza exitosamente, las luces indicadoras de activación inalámbrica se encenderán en rojo durante 2 segundos y comenzarán a parpadear en azul.

NOTA: Las luces indicadoras de activación inalámbrica terminarán parpadeando en rojo después de un lapso de 20 segundos. Oprima el botón de activación inalámbrica en la herramienta mientras la luz indicadora de activación inalámbrica en la aspiradora esté parpadeando. Si la luz indicadora de activación inalámbrica no parpadea en rojo, oprima el botón de activación inalámbrica durante un lapso breve y vuelva a mantenerlo oprimido.

Borrado de todos los registros de herramientas

Usted puede borrar todos los registros de herramientas de la aspiradora como se indica a continuación.

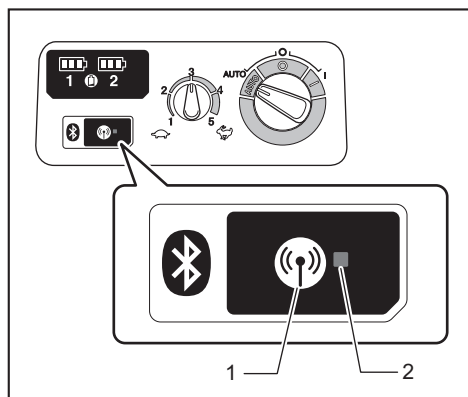


► 1. Interruptor de modo en espera 2. Botón de activación inalámbrica 3. Luz indicadora de activación inalámbrica

1. Instale las baterías en la aspiradora.
2. Ajuste el interruptor de modo en espera en "AUTO".
3. Mantenga oprimido el botón de activación inalámbrica durante aproximadamente 6 segundos hasta que la luz indicadora de activación inalámbrica parpadee en rojo (cerca de dos veces durante un segundo).
4. Cuando la luz indicadora de activación inalámbrica comience a parpadear en rojo, suelte el botón de activación inalámbrica. Posteriormente, vuelva a mantener oprimido el botón de activación inalámbrica alrededor de 6 segundos.
5. Cuando la luz indicadora de activación inalámbrica comience a parpadear rápidamente en rojo (cerca de 5 veces durante un segundo), suelte el botón de activación inalámbrica. Cuando la luz indicadora de activación inalámbrica se encienda en rojo y luego se apague, todos los registros de herramientas se habrán borrado.

NOTA: Si la luz indicadora de activación inalámbrica no parpadea en rojo, oprima el botón de activación inalámbrica durante un lapso breve e inténtelo nuevamente.

Descripción del estado de la luz indicadora de activación inalámbrica



- 1. Botón de activación inalámbrica 2. Luz indicadora de activación inalámbrica

La luz indicadora de activación inalámbrica muestra el estado de la función de activación inalámbrica. Consulte la tabla a continuación para ver qué significa el estado de la luz indicadora.

Estado	Luz indicadora de activación inalámbrica			Descripción
	Color	Encendida	Parpadeando	
En espera	Azul	<input checked="" type="checkbox"/>	Aspiradora: continua Herramienta: 2 horas	Se está esperando el registro de la herramienta o la función de activación inalámbrica están disponibles. La luz indicadora en la aspiradora parpadea cuando el interruptor de modo en espera está ajustado en "AUTO". La luz indicadora en la herramienta parpadea cuando se presiona el botón de activación inalámbrica. La luz indicadora se apaga automáticamente cuando no se realiza ninguna operación durante 2 horas.
		<input type="checkbox"/>	Cuando la herramienta está funcionando.	La activación inalámbrica de la aspiradora está disponible y la herramienta está funcionando.
Registro de la herramienta	Verde	<input checked="" type="checkbox"/>	20 segundos	Ya se puede realizar el registro de la herramienta. Se está buscando la herramienta que se va a registrar.
		<input type="checkbox"/>	2 segundos	El registro de la herramienta ha terminado. La luz indicadora de activación inalámbrica comenzará a parpadear en azul.
Cancelación/borrado del registro de herramientas	Rojo	<input checked="" type="checkbox"/> (lento: 2 veces/s)	20 segundos	Ya se puede cancelar el registro de la herramienta. Se está buscando la herramienta que se va a cancelar.
		<input checked="" type="checkbox"/> (rápido: 5 veces/s)	Cuando el botón de activación inalámbrica es presionado.	Ya se pueden borrar todos los registros de herramientas.
		<input type="checkbox"/>	2 segundos	El registro de la herramienta ha sido cancelado/borrado. La luz indicadora de activación inalámbrica comenzará a parpadear en azul.
Otros	Rojo	<input type="checkbox"/>	3 segundos	La energía es suministrada a la unidad inalámbrica y la función de activación inalámbrica está arrancando.
		Apagada	-	-

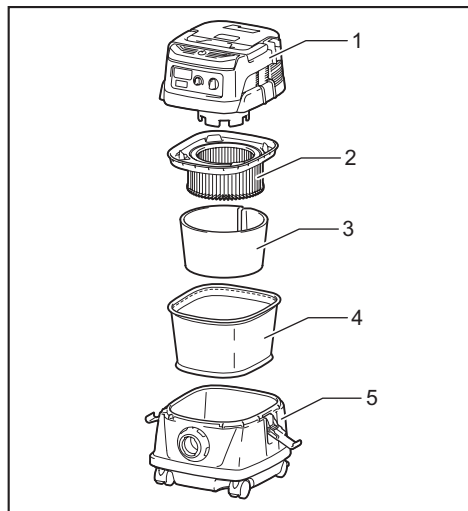
DetECCIÓN Y SOLUCIÓN DE PROBLEMAS PARA LA FUNCIÓN DE ACTIVACIÓN INALÁMBRICA

Antes de solicitar alguna reparación, primero realice una inspección por su cuenta. Si detecta algún problema que no esté explicado en el manual, no intente desensamblar la herramienta. En vez de esto, solicite la reparación a un centro de servicio autorizado de Makita, usando siempre piezas de repuesto Makita.

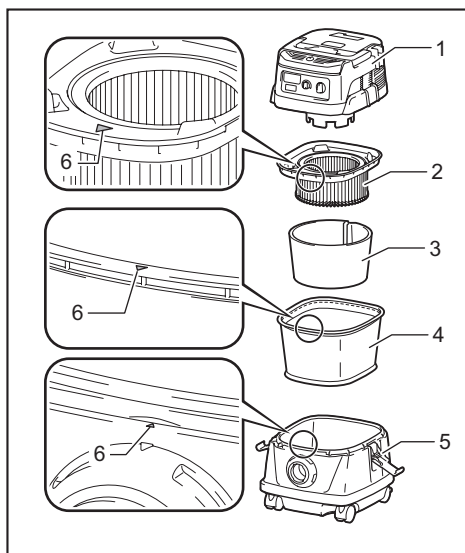
Estado de la anomalía	Causa probable (avería)	Remedio
La luz indicadora de activación inalámbrica no enciende/parpadea.	La unidad inalámbrica no está instalada en la herramienta. La unidad inalámbrica está instalada incorrectamente en la herramienta.	Instale la unidad inalámbrica de forma correcta en la herramienta.
	La terminal de la unidad inalámbrica y/o la ranura está sucia.	Retire con cuidado el polvo y la suciedad en la terminal de la unidad inalámbrica y limpie la ranura de la herramienta.
	El botón de activación inalámbrica en la herramienta no se ha oprimido.	Oprima el botón de activación inalámbrica en la herramienta durante un lapso breve.
	El interruptor de modo en espera en la aspiradora no está ajustado en "AUTO".	Ajuste el interruptor de modo en espera en la aspiradora en "AUTO".
	No hay suministro de energía.	Suministre energía a la herramienta y a la aspiradora.
No se puede terminar/cancelar el registro de la herramienta exitosamente.	La unidad inalámbrica no está instalada en la herramienta. La unidad inalámbrica está instalada incorrectamente en la herramienta.	Instale la unidad inalámbrica de forma correcta en la herramienta.
	La terminal de la unidad inalámbrica y/o la ranura está sucia.	Retire con cuidado el polvo y la suciedad en la terminal de la unidad inalámbrica y limpie la ranura de la herramienta.
	El interruptor de modo en espera en la aspiradora no está ajustado en "AUTO".	Ajuste el interruptor de modo en espera en la aspiradora en "AUTO".
	No hay suministro de energía.	Suministre energía a la herramienta y a la aspiradora.
	Operación incorrecta	Oprima el botón de activación inalámbrica durante un lapso breve y realice los procedimientos de registro/cancelación de la herramienta nuevamente.
	La herramienta y la aspiradora están lejos una de la otra (fuera del rango de transmisión).	Acerque más la herramienta a la aspiradora. La distancia máxima de transmisión es de aproximadamente 10 m, pero puede variar en función de las circunstancias.
	Antes de terminar el registro/cancelación de la herramienta; - el gatillo interruptor en la herramienta se ha jalado; o - el botón de encendido/apagado en la aspiradora está activado.	Oprima el botón de activación inalámbrica durante un lapso breve y realice los procedimientos de registro/cancelación de la herramienta nuevamente.
	Los procedimientos de registro para la herramienta o la aspiradora no se han terminado.	Realice los procedimientos de registro tanto para la herramienta como para la aspiradora al mismo tiempo.
La perturbación radioeléctrica generada por otros aparatos que emiten ondas de radio de alta intensidad.	Mantenga la herramienta y la aspiradora lejos de aparatos tales como dispositivos Wi-Fi y hornos de microondas.	

Estado de la anomalía	Causa probable (avería)	Remedio
La aspiradora no funciona junto con el interruptor de activación de la herramienta.	La unidad inalámbrica no está instalada en la herramienta. La unidad inalámbrica está instalada incorrectamente en la herramienta.	Instale la unidad inalámbrica de forma correcta en la herramienta.
	La terminal de la unidad inalámbrica y/o la ranura está sucia.	Retire con cuidado el polvo y la suciedad en la terminal de la unidad inalámbrica y limpie la ranura de la herramienta.
	El botón de activación inalámbrica en la herramienta no se ha oprimido.	Oprima el botón de activación inalámbrica durante un lapso breve y asegúrese de que la luz indicadora de activación inalámbrica esté parpadeando en azul.
	El interruptor de modo en espera en la aspiradora no está ajustado en "AUTO".	Ajuste el interruptor de modo en espera en la aspiradora en "AUTO".
	Más de 10 herramientas están registradas en la aspiradora.	Vuelva a realizar el registro de la herramienta. Si más de 10 herramientas están registradas en la aspiradora, la herramienta registrada al principio se cancelará automáticamente.
	La aspiradora borró todos los registros de herramientas.	Vuelva a realizar el registro de la herramienta.
	No hay suministro de energía.	Suministre energía a la herramienta y a la aspiradora.
	La herramienta y la aspiradora están lejos una de la otra (fuera del rango de transmisión).	Acerque más la herramienta a la aspiradora. La distancia máxima de transmisión es de aproximadamente 10 m, pero puede variar en función de las circunstancias.
	La perturbación radioeléctrica generada por otros aparatos que emiten ondas de radio de alta intensidad.	Mantenga la herramienta y la aspiradora lejos de aparatos tales como dispositivos Wi-Fi y hornos de microondas.
La aspiradora funciona aun cuando el gatillo interruptor de la herramienta no ha sido jalado.	Otros usuarios están usando la activación inalámbrica de la aspiradora con sus herramientas.	Apague el botón de activación inalámbrica de las demás herramientas o cancele el registro de dichas herramientas.
No se pueden borrar todos los registros de herramientas en la aspiradora.	El botón de activación inalámbrica en la herramienta está oprimido.	Oprima el botón de activación inalámbrica en la aspiradora para borrar todos los registros de herramientas.
	El interruptor de modo en espera en la aspiradora no está ajustado en "AUTO".	Ajuste el interruptor de modo en espera en la aspiradora en "AUTO".
	El botón de activación inalámbrica no se está manteniendo oprimido de forma correcta.	Mantenga oprimido el botón de activación inalámbrica durante más de 6 segundos y luego suéltelo cuando la luz indicadora de activación inalámbrica parpadee en rojo. Mantenga oprimido el botón de activación inalámbrica durante más de 6 segundos nuevamente hasta que el botón de activación inalámbrica parpadee rápidamente en rojo y luego suelte el botón.

DESCRIPCIÓN DE LAS PIEZAS



- ▶ 1. Cubierta del tanque 2. Filtro de polvo (HEPA)
3. Amortiguador 4. Prefiltro 5. Tanque



- ▶ 1. Cubierta del tanque 2. Filtro de polvo (HEPA)
3. Amortiguador 4. Prefiltro 5. Tanque 6. Marca de posición de montaje

AVISO: Antes de usar el filtro de polvo, asegúrese de que el prefiltro y el amortiguador siempre se utilicen juntos. El filtro de polvo no debe ser instalado solo.

MONTAJE

⚠PRECAUCIÓN: Asegúrese siempre de que la herramienta esté apagada y el cartucho de batería haya sido extraído antes de realizar cualquier trabajo en la misma.

⚠PRECAUCIÓN: Utilice siempre una máscara contra el polvo durante el ensamblado o mantenimiento.

Instalación del filtro de polvo (HEPA) y el prefiltro (para polvo seco)

⚠PRECAUCIÓN: Nunca aspire agua ni otros líquidos o polvo húmedo cuando utilice el filtro de polvo. El aspirar este tipo de objetos podría causar la avería del filtro de polvo.

Para usar el filtro de polvo:

1. Coloque el prefiltro en el tanque alineando las marcas de posición de montaje.
2. Instale el amortiguador en el filtro de polvo y luego colóquelos en el prefiltro alineando las marcas de posición de montaje.
3. Por último, instale la cubierta del tanque y asegúrela.

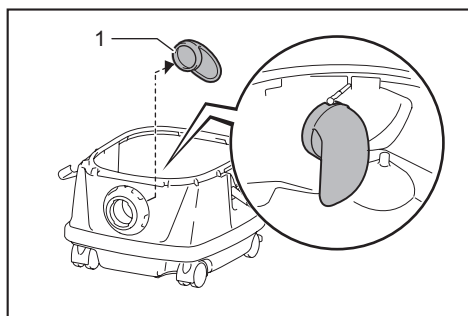
Instalación de la bolsa de papel para polvo

Accesorio opcional

⚠ADVERTENCIA: Cuando use una bolsa de papel para polvo, utilice también junto con esta el prefiltro preinstalado en la herramienta. No utilizar el prefiltro junto con la bolsa de papel para polvo podría ocasionar un ruido y calentamiento anormales, lo cual puede provocar un incendio.

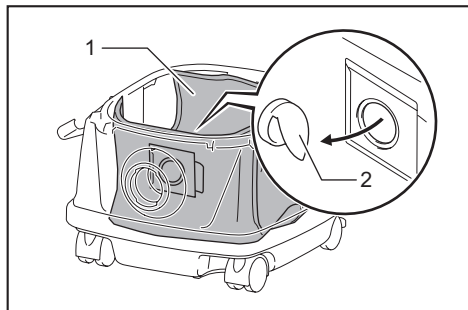
⚠PRECAUCIÓN: Antes de usar la bolsa de papel para polvo, asegúrese de que el filtro de polvo, el amortiguador y el prefiltro se utilicen siempre juntos.

1. Retire el sujetador de goma.



► 1. Sujetador de goma

2. Extienda la bolsa de papel para polvo.
3. Alinee la abertura de la bolsa de papel para polvo con la abertura de succión de polvo de la aspiradora.
4. Inserte el cartón de la bolsa de papel para polvo en el sujetador de manera que quede colocado en el extremo más allá de la protuberancia del tope.

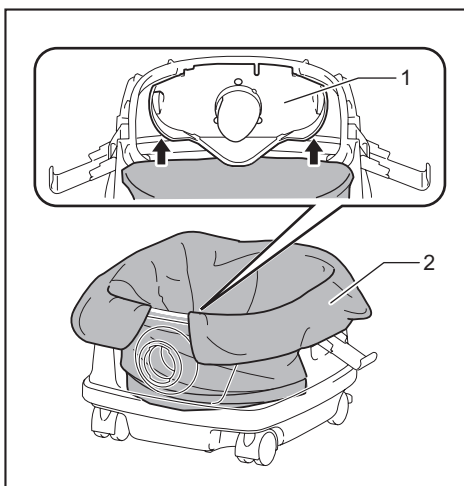


► 1. Bolsa de papel para polvo 2. Sujetador

Instalación de la bolsa de polietileno

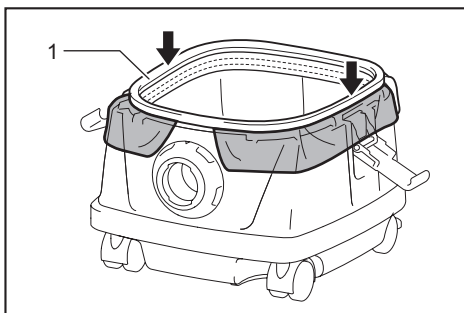
La aspiradora también se puede utilizar sin la bolsa de polietileno. Sin embargo, con el uso de la bolsa de polietileno resulta más fácil vaciar el tanque sin ensuciarse las manos.

Extienda la bolsa de polietileno en el tanque. Insértela entre la placa del sujetador y el tanque, y júela hacia la entrada para la manguera.



► 1. Placa del sujetador 2. Bolsa de polietileno

Extienda la bolsa alrededor de la parte superior del tanque de manera que el borde del prefiltro pueda agarrar y sujetar la bolsa firmemente.



► 1. Prefiltro

NOTA: Se puede utilizar cualquier bolsa de polietileno disponible en el mercado. Se recomienda el uso de una con un grosor de 0,04 mm o más.

NOTA: Si se recolecta demasiado polvo la bolsa podría romperse fácilmente, por lo que debe evitar recolectar más de la mitad de la capacidad de la bolsa.

Vaciado de la bolsa de polietileno

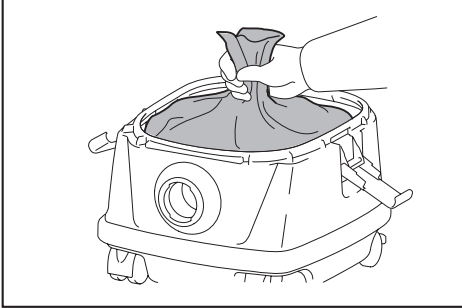
⚠ADVERTENCIA: Asegúrese siempre de que la aspiradora esté apagada y que el cartucho de batería haya sido extraído antes de vaciar la bolsa de polietileno. El no hacerlo podría ocasionar una descarga eléctrica y lesiones personales graves.

⚠PRECAUCIÓN: Evite los impactos fuertes sobre el tanque. Un impacto fuerte podría deformar y dañar las piezas.

⚠PRECAUCIÓN: Vacíe el tanque por lo menos una vez al día, aunque esto dependerá del volumen de polvo aspirado en el tanque. De lo contrario, la fuerza de succión se vería reducida y el motor podría averiarse.

⚠PRECAUCIÓN: Evite agarrar el gancho mientras vacía el tanque. El agarrar el gancho podría ocasionar que éste se rompa.

Desenganche y levante la cubierta del tanque. Sacuda el polvo del prefiltro y luego retire la bolsa de polietileno del tanque.

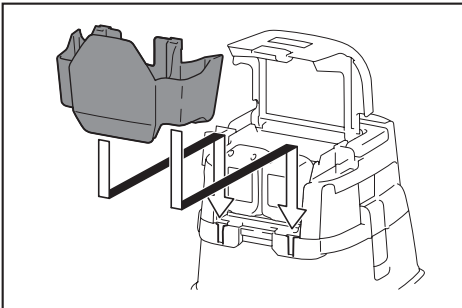


NOTA: Retire con cuidado la bolsa de polietileno del tanque de manera que ésta no pueda quedar enganchada y romperse por la protuberancia en el interior del tanque al vaciarla.

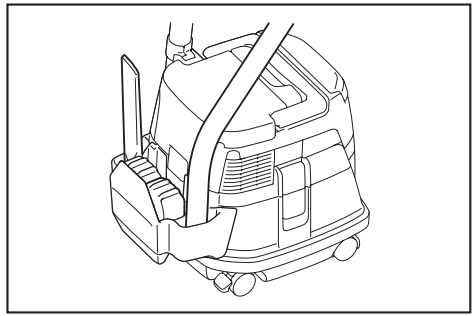
NOTA: Vacíe la bolsa de polietileno antes de que se llene. Demasiado polvo en el tanque podría causar que la bolsa de polietileno se rompa.

Instalación de la caja de herramientas

1. Libere el seguro de la cubierta de la batería y ábrala.
2. Coloque los rieles en la caja de herramientas a lo largo de las ranuras en la carcasa.
3. Cierre la cubierta de la batería y ponga el seguro.



La caja de herramientas resulta conveniente para guardar baterías, tubos o bocas.

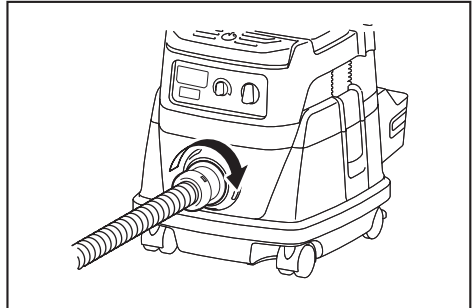


Conexión de la manguera

AVISO: Nunca fuerce la manguera para doblarla o aplastarla. Nunca mueva la aspiradora tomándola de la manguera. El forzar, aplastar y jalar la manguera podría ocasionar que ésta se averíe o se deforme.

AVISO: Cuando aspire residuos grandes tales como los generados al tallar con cepillo, polvo de concreto o similares que no sean residuos pequeños, utilice la manguera con diámetro interior de 38 mm (accesorio opcional). El usar la manguera con diámetro interior de 28 mm (accesorio opcional) podría causar obstrucciones y daños a la manguera.

Inserte la manguera en el puerto de montaje del tanque y gírela en el sentido de las manecillas del reloj hasta que quede asegurada.



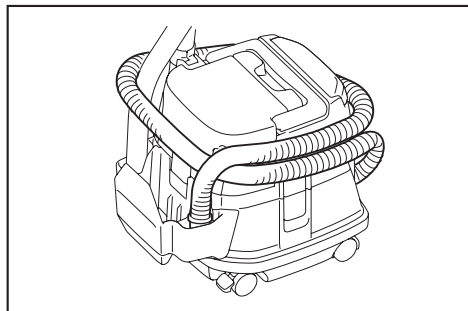
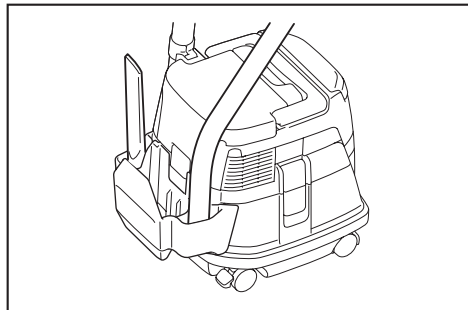
MANTENIMIENTO

⚠PRECAUCIÓN: Asegúrese siempre de que la herramienta esté apagada y el cartucho de batería extraído antes de intentar realizar una inspección o mantenimiento.

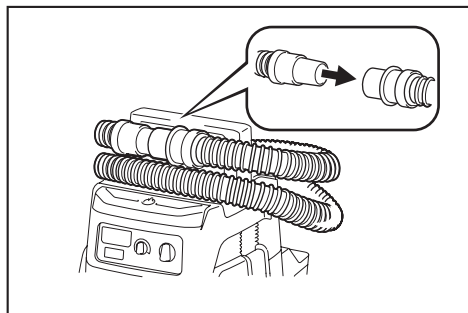
AVISO: Nunca use gasolina, bencina, diluyente (tiner), alcohol o sustancias similares. Puede que esto ocasione grietas o descoloramiento.

Almacenamiento de los accesorios

Los tubos se pueden colocar en el portatubos cuando no vaya a utilizar la aspiradora por poco tiempo.



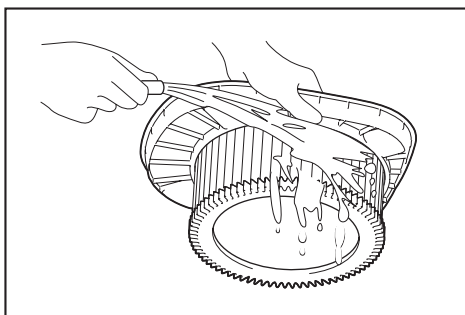
La manguera se puede guardar alrededor de la herramienta conectando los extremos.



Limpeza del filtro de polvo (HEPA) y el prefiltro

La obstrucción del filtro de polvo, el prefiltro y el amortiguador causa que el desempeño de la succión sea deficiente. Limpie los filtros y amortiguadores ocasionalmente.

Para eliminar el polvo o las partículas adheridos a los filtros, sacuda con rapidez varias veces la parte inferior del marco.



De vez en cuando lave el filtro de polvo con agua, enjuáguelo y séquelo bien a la sombra antes de usarlo. Nunca lave los filtros en la lavadora.

NOTA: No frote ni raye el filtro de polvo, el prefiltro o el amortiguador con objetos duros tales como un cepillo y una pala.

NOTA: Los filtros se desgastan con el tiempo. Se recomienda contar con piezas de repuesto.

Para mantener la SEGURIDAD y FIABILIDAD del producto, las reparaciones, y cualquier otra tarea de mantenimiento o ajuste deberán ser realizadas en centros de servicio autorizados o de fábrica Makita, empleando siempre repuestos Makita.

ACCESORIOS OPCIONALES

⚠PRECAUCIÓN: Estos accesorios o aditamentos están recomendados para utilizarse con su herramienta Makita especificada en este manual. El empleo de cualquier otro accesorio o aditamento puede conllevar el riesgo de lesiones personales. Utilice los accesorios o aditamentos solamente para su fin establecido.

Si necesita cualquier ayuda para más detalles en relación con estos accesorios, pregunte a su centro de servicio local Makita.

- Manguera
- Boca delantera (22, 24, 38)
- Tubo recto
- Boquilla para esquinas
- Cepillo redondo
- Filtro de polvo, HEPA (para polvo seco)
- Amortiguador
- Prefiltro
- Conjunto de boquillas
- Tubo curvo
- Bolsa de polietileno
- Bolsa de papel para polvo
- Juego de sujetadores
- Batería y cargador originales de Makita

NOTA: Algunos de los artículos en la lista pueden incluirse en el paquete de la herramienta como accesorios estándar. Éstos pueden variar de país a país.

GARANTÍA LIMITADA DE UN AÑO DE MAKITA

Ésta Garantía no aplica para México Política de garantía

Cada herramienta Makita es inspeccionada y probada exhaustivamente antes de salir de la fábrica. Se garantiza que está libre de defectos de mano de obra y materiales por el período de UN AÑO a partir de la fecha original de compra. Si durante este período de un año se desarrollara algún problema, devuelva la herramienta COMPLETA, con el envío prepagado, a un centro de servicio autorizado o de fábrica Makita. Si la inspección muestra que el problema ha sido a causa de un defecto de mano de obra o material, Makita hará la reparación (o a su discreción, el reemplazo) sin ningún cargo. Esta garantía no aplica cuando:

- las reparaciones se hayan hecho o intentado hacer por otros;
- se requieran reparaciones debido al desgaste normal;
- la herramienta haya sido maltratada, recibido un mal uso o haya recibido un mantenimiento inapropiado;
- se hayan hecho modificaciones a la herramienta.

EN NINGÚN CASO MAKITA SE HARÁ RESPONSABLE DE NINGÚN DAÑO INDIRECTO, INCIDENTAL, O DERIVADO DE LA VENTA O USO DEL PRODUCTO. ESTE DESCARGO DE RESPONSABILIDAD APLICA DURANTE Y DESPUÉS DEL PLAZO DE ESTA GARANTÍA. MAKITA RENUNCIA A LA RESPONSABILIDAD POR CUALQUIER GARANTÍA IMPLÍCITA, INCLUYENDO GARANTÍAS DE "COMERCIABILIDAD" Y "ADECUACIÓN PARA UN PROPÓSITO ESPECÍFICO", DESPUÉS DEL PLAZO DE UN AÑO DE ESTA GARANTÍA.

Esta garantía le concede derechos legales específicos y usted podrá tener también otros derechos que varían de un estado a otro. Algunos estados no permiten la exclusión o limitación de daños incidentales o consecuentes, por lo que la limitación o exclusión arriba mencionada podría no aplicar para usted. Algunos estados no permiten la limitación sobre la duración de una garantía implícita, por lo que la limitación arriba mencionada podría no aplicar para usted.

< USA only >

WARNING

Some dust created by power sanding, sawing, grinding, drilling, and other construction activities contains chemicals known to the State of California to cause cancer, birth defects or other reproductive harm. Some examples of these chemicals are:

- lead from lead-based paints,
- crystalline silica from bricks and cement and other masonry products, and
- arsenic and chromium from chemically-treated lumber.

Your risk from these exposures varies, depending on how often you do this type of work. To reduce your exposure to these chemicals: work in a well ventilated area, and work with approved safety equipment, such as those dust masks that are specially designed to filter out microscopic particles.

< Sólo en los Estados Unidos >

ADVERTENCIA

Algunos polvos creados por el lijado, aserrado, esmerilado, taladrado y otras actividades de la construcción contienen sustancias químicas reconocidas por el Estado de California como causantes de cáncer, defectos de nacimiento y otros peligros de reproducción. Algunos ejemplos de estos productos químicos son:

- plomo de pinturas a base de plomo,
- sílice cristalino de ladrillos y cemento y otros productos de albañilería, y
- arsénico y cromo de maderas tratadas químicamente.

El riesgo al que se expone varía, dependiendo de la frecuencia con la que realice este tipo de trabajo. Para reducir la exposición a estos productos químicos: trabaje en un área bien ventilada y póngase el equipo de seguridad indicado, tal como las máscaras contra polvo que están especialmente diseñadas para filtrar partículas microscópicas.

Makita Corporation

3-11-8, Sumiyoshi-cho,
Anjo, Aichi 446-8502 Japan

www.makita.com

885608-934
DVC864L-1
EN, FRCA, ESMX
20170621